

A7GP **Bi-Directional** Hydraulic Gear Pumps Cast Iron

A7GM **Bi-Directional** Hydraulic Gear Motors Cast Iron



A7GP - Hydraulic Gear Pumps

- Compact Design,
- Economical Conception,
- High Power Density,
- High Overall Efficiency,
- High Rotating Speeds,
- High Output Pressure,
- 350 bar Cont. Work. Pressure,
- 400 bar Peak Pressure,

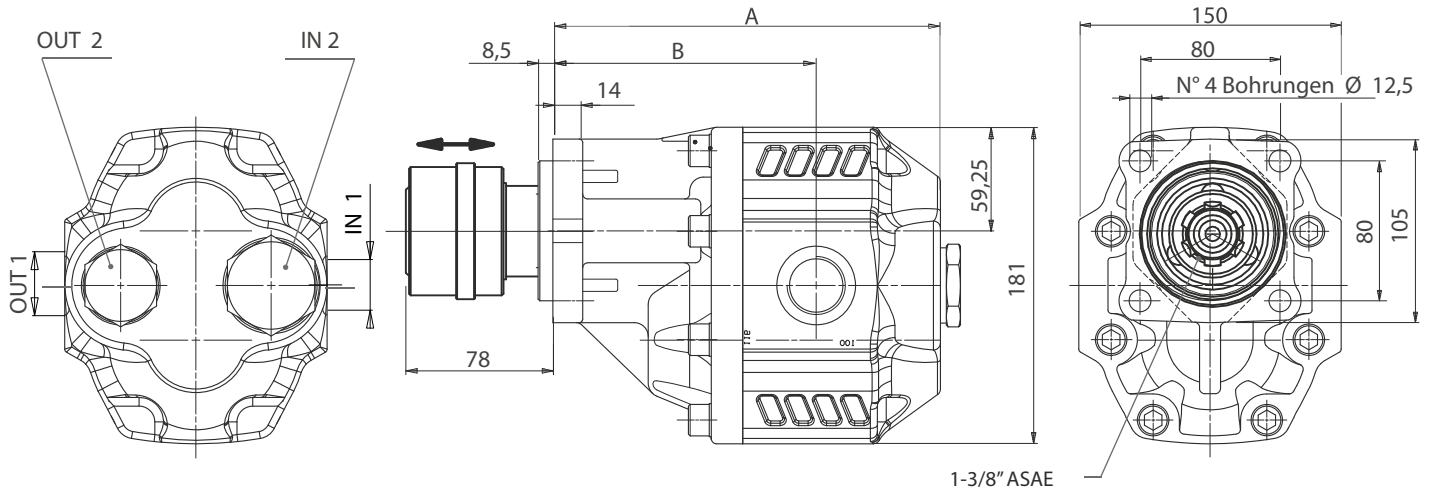
A7GM - Hydraulic Gear Motors

- Compact Design,
- Economical Conception,
- High Power Density,
- High Overall Efficiency,
- High Rotating Speeds,
- High Output Pressure,
- 350 bar Cont. Work. Pressure,
- 400 bar Peak Pressure,

A7GP Bi-Directional
Hydraulic Gear Pumps
Cast Iron

A7GM Bi-Directional
Hydraulic Gear Motors
Cast Iron

DIN, ISO, SAE mounting Flanges
TANDEM Gear Pumps
TANDEM Gear Motors, available in stocks now



Displacement	Ordering Code		Technical Information							Dimensions				Weight in KG	
	Bi-Directional Pump Version	Bi-Directional Motor Version	P1 in bar	P2 in bar	P3 in bar	Maximum Speed	Maximum Intermitt. Peak Speed	min. Pressure	Suction Outlet 1	Suction Outlet 2	Pressure Conn. 1	Pressure Conn. 2	A in mm		B in mm
63.70	035-900-01000	035-900-01050	290	315	325	1800	2700	300	1"	1"	3/4"	3/4"	201.5	136.5	20
74.87	035-900-01100	035-900-01150	280	300	315	1800	2700	300	1"	1"	3/4"	3/4"	205.5	140.5	22
85.96	035-900-01200	035-900-01250	260	280	290	1800	2700	300	1-1/4"	1-1/4"	1"	1"	209.5	141	22.5
102.60	035-900-01300	035-900-01350	250	270	280	1800	2700	300	1-1/4"	1-1/4"	1"	1"	215.5	144.5	23
119.24	035-900-01400	035-900-01450	240	260	270	1500	2700	300	1-1/4"	1-1/4"	1"	1"	221.5	150.5	23.5
135.88	035-900-01500	035-900-01550	220	250	260	1500	2500	300	1-1/2"	1-1/2"	1"	1"	231.5	152.5	24.5
149.75	035-900-01600	035-900-01650	180	210	220	1500	2500	300	1-1/2"	1-1/2"	1"	1"	236.5	157.5	25

P1 = max. Pressure (100%)

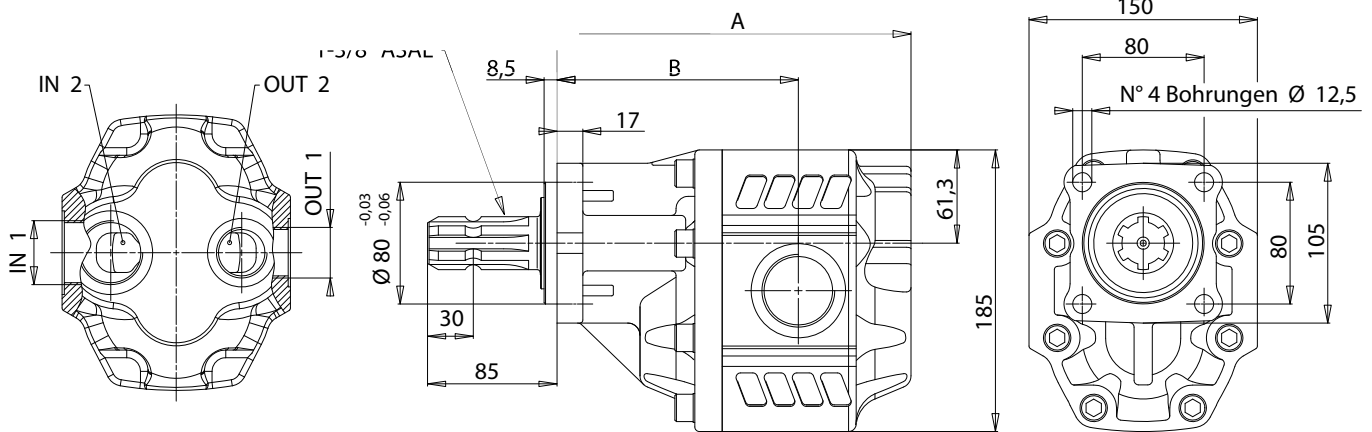
P2 = max. Intermittent pressure (max. 20 Sec.)

P3 = Peak Pressure (max. 6 Sec.)

A7GP Bi-Directional
Hydraulic Gear Pumps
Cast Iron

A7GM Bi-Directional
Hydraulic Gear Motors
Cast Iron

DIN, ISO, SAE mounting Flanges
TANDEM Gear Pumps
TANDEM Gear Motors, available in stocks now



Displacement	Ordering Code		Technical Information							Dimensions					
	Bi-Directional Pump Version	Bi-Directional Motor Version	P1 in bar	P2 in bar	P3 in bar	Maximum Speed	Maximum Intermitt. Peak Speed	min. Pressure	Suction Outlet 1	Suction Outlet 2	Pressure Conn. 1	Pressure Conn. 2	A in mm	B in mm	Weight in KG
63,7	035-909-01000	035-909-01050	290	315	325	1800	2700	300	1"	1"	3/4"	3/4"	201,5	136,5	19
74,87	035-909-01100	035-909-01150	280	300	315	1800	2700	300	1"	1"	3/4"	3/4"	205,5	140,5	21
85,96	035-909-01200	035-909-01250	260	280	290	1800	2700	300	1-1/4"	1-1/4"	1"	1"	209,5	141	21,5
102,6	035-909-01300	035-909-01350	250	270	280	1800	2700	300	1-1/4"	1-1/4"	1"	1"	215,5	144,5	22
119,24	035-909-01400	035-909-01450	240	260	270	1500	2700	300	1-1/4"	1-1/4"	1"	1"	221,5	150,5	22,5
135,88	035-909-01500	035-909-01550	220	250	260	1500	2500	300	1-1/2"	1-1/2"	1"	1"	227,5	153,5	23,5
149,75	035-909-01600	035-909-01650	180	210	220	1500	2500	300	1-1/2"	1-1/2"	1"	1"	232,5	158,5	24

P1 = max. Pressure (100%)

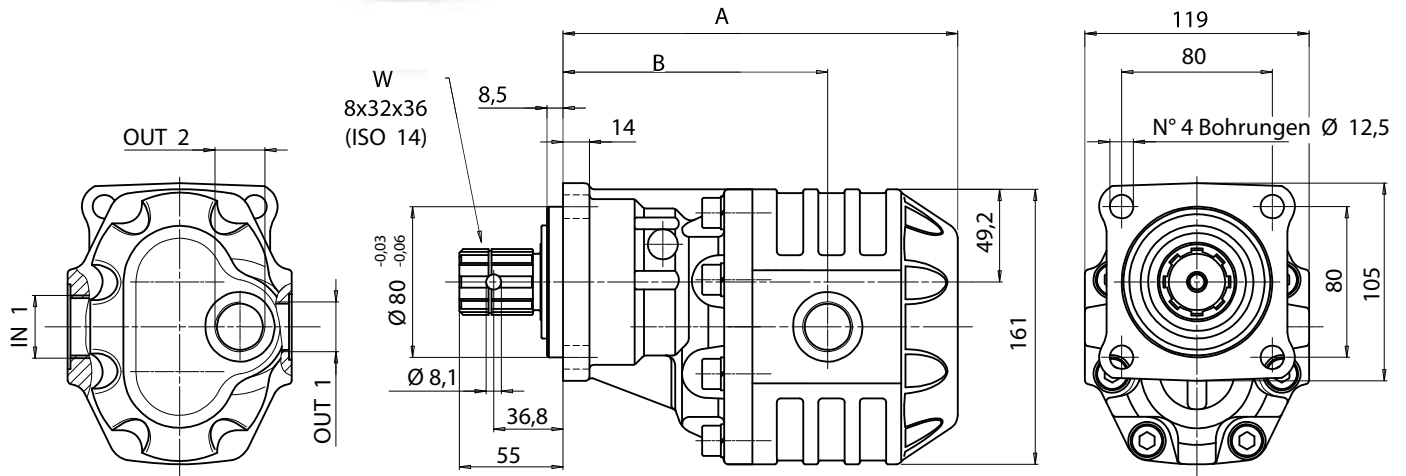
P2 = max. Intermittent pressure (max. 20 Sec.)

P3 = Peak Pressure (max. 6 Sec.)

A7GP Bi-Directional
Hydraulic Gear Pumps
Cast Iron

A7GM Bi-Directional
Hydraulic Gear Motors
Cast Iron

DIN, ISO, SAE mounting Flanges
TANDEM Gear Pumps
TANDEM Gear Motors, available in stocks now



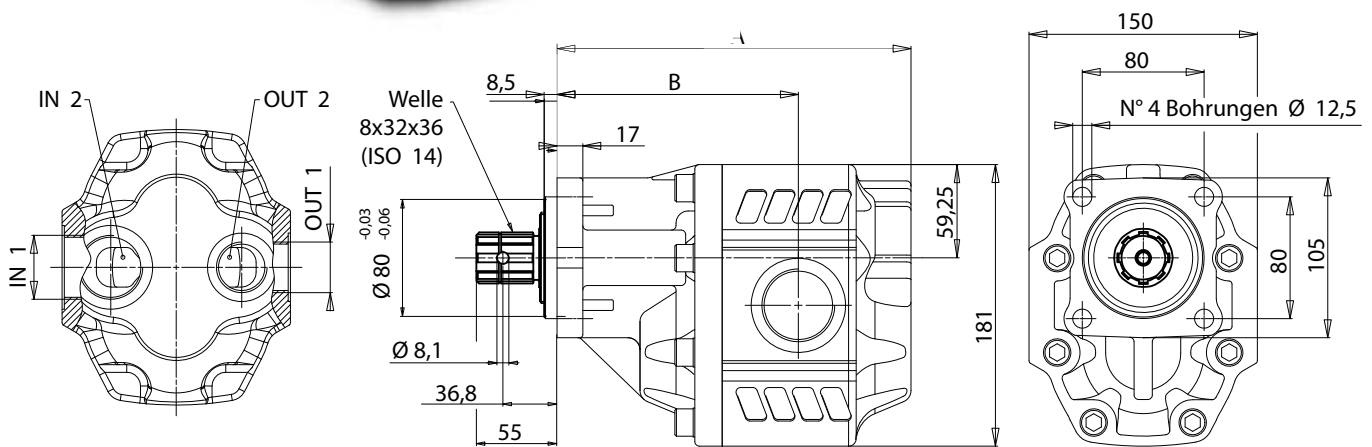
Displacement	Ordering Code		Technical Information						Dimensions					
	Bi-Directional Pump Version	Bi-Directional Motor Version	P1 in bar	P2 in bar	P3 in bar	Maximum Speed	Maximum Intermitt. Peak Speed	min. Pressure	Suction Outlet 1	Suction Outlet 2	Pressure Conn. 1	Pressure Conn. 2	A in mm	B in mm
17,04	035-919-01000	035-919-01050	290	315	325	2500	3000	300	1/2"	1/2"	1/2"	168,5	119,5	11
22,15	035-919-01100	035-919-01150	290	315	325	2500	3000	300	1/2"	1/2"	1/2"	172	121,5	11,5
26,18	035-919-01200	035-919-01250	290	315	325	2500	3000	300	3/4"	1/2"	1/2"	174,5	124	12
38,88	035-919-01300	035-919-01350	280	300	310	2200	2800	300	3/4"	3/4"	3/4"	179,5	125	13
43,12	035-919-01400	035-919-01450	270	290	300	2000	2500	300	3/4"	3/4"	3/4"	185,5	130	13,5
50,82	035-919-01500	035-919-01550	240	260	280	2000	2500	300	1"	3/4"	3/4"	190,5	130,5	14
60,06	035-919-01600	035-919-01650	220	240	250	1800	2000	300	1"	3/4"	3/4"	196,5	136,5	14,5
72,88	035-919-01700	035-919-01750	200	220	230	1600	1800	300	1"	3/4"	3/4"	204,5	135,5	15
81,08	035-919-01800	035-919-01850	190	210	220	1500	1800	300	1-1/4"	3/4"	3/4"	209,5	140,5	15,5
98,18	035-919-02000	035-919-02050	180	200	220	1500	1800	300	1-1/4"	1"	3/4"	226,5	154,5	15
122,72	035-919-02100	035-919-02150	160	180	200	1500	1800	300	1-1/4"	1"	3/4"	242,5	158,5	17

P1 = max. Pressure (100%)
P2 = max. Intermittent pressure (max. 20 Sec.)
P3 = Peak Pressure (max. 6 Sec.)

A7GP Bi-Directional
Hydraulic Gear Pumps
Cast Iron

A7GM Bi-Directional
Hydraulic Gear Motors
Cast Iron

DIN, ISO, SAE mounting Flanges
TANDEM Gear Pumps
TANDEM Gear Motors, available in stocks now



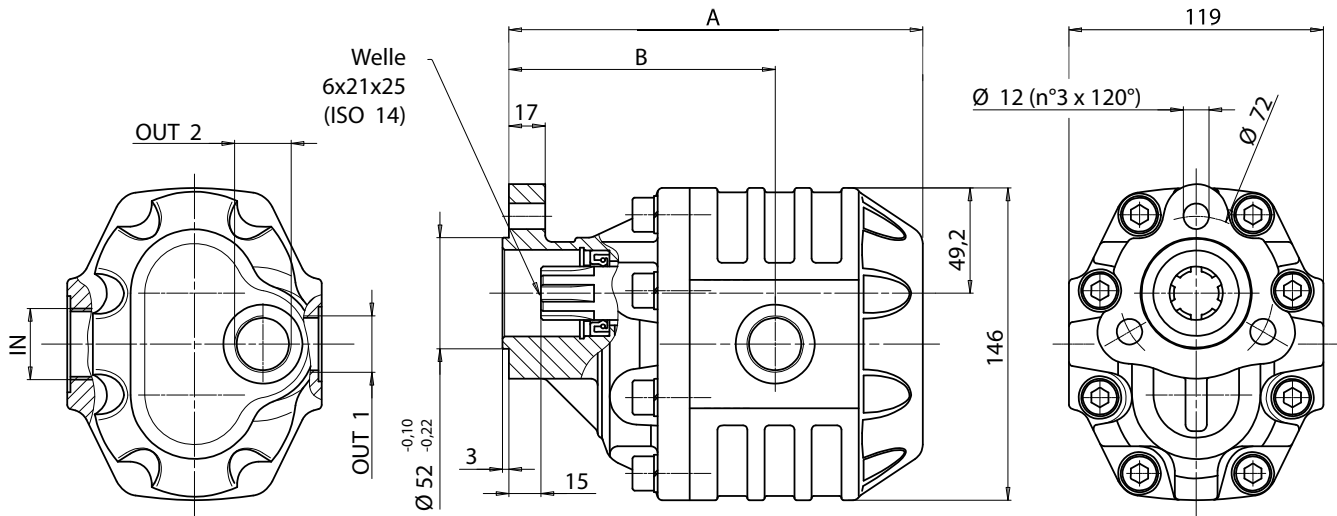
Displacement	Ordering Code		Technical Information						Dimensions				Weight in KG		
	Bi-Directional Pump Version	Bi-Directional Motor Version	P1 in bar	P2 in bar	P3 in bar	Maximum Speed	Maximum Intermitt. Peak Speed	min. Pressure	Suction Outlet 1	Suction Outlet 2	Pressure Conn. 1	Pressure Conn. 2		A in mm	B in mm
63,7	030-929-01000	030-929-01050	290	315	325	1800	2700	300	1"	1"	3/4"	3/4"	201,5	136,5	19
74,87	030-929-01100	030-929-01150	280	300	315	1800	2700	300	1"	1"	3/4"	3/4"	205,5	140,5	21
85,96	030-929-01200	030-929-01250	260	280	290	1800	2700	300	1-1/4"	1-1/4"	1"	1"	209,5	141	21,5
102,6	030-929-01300	030-929-01350	250	270	280	1800	2700	300	1-1/4"	1-1/4"	1"	1"	215,5	144,5	22
119,24	030-929-01400	030-929-01450	240	260	270	1500	2700	300	1-1/4"	1-1/4"	1"	1"	221,5	150,5	22,5
135,88	030-929-01500	030-929-01550	220	250	260	1500	2500	300	1-1/2"	1-1/2"	1"	1"	231,5	152,5	23,5
149,75	030-929-01600	030-929-01650	180	210	220	1500	2500	300	1-1/2"	1-1/2"	1"	1"	236,5	157,5	24

P1 = max. Pressure (100%)
P2 = max. Intermittent pressure (max. 20 Sec.)
P3 = Peak Pressure (max. 6 Sec.)

A7GP Bi-Directional
Hydraulic Gear Pumps
Cast Iron

A7GM Bi-Directional
Hydraulic Gear Motors
Cast Iron

DIN, ISO, SAE mounting Flanges
TANDEM Gear Pumps
TANDEM Gear Motors, available in stocks now



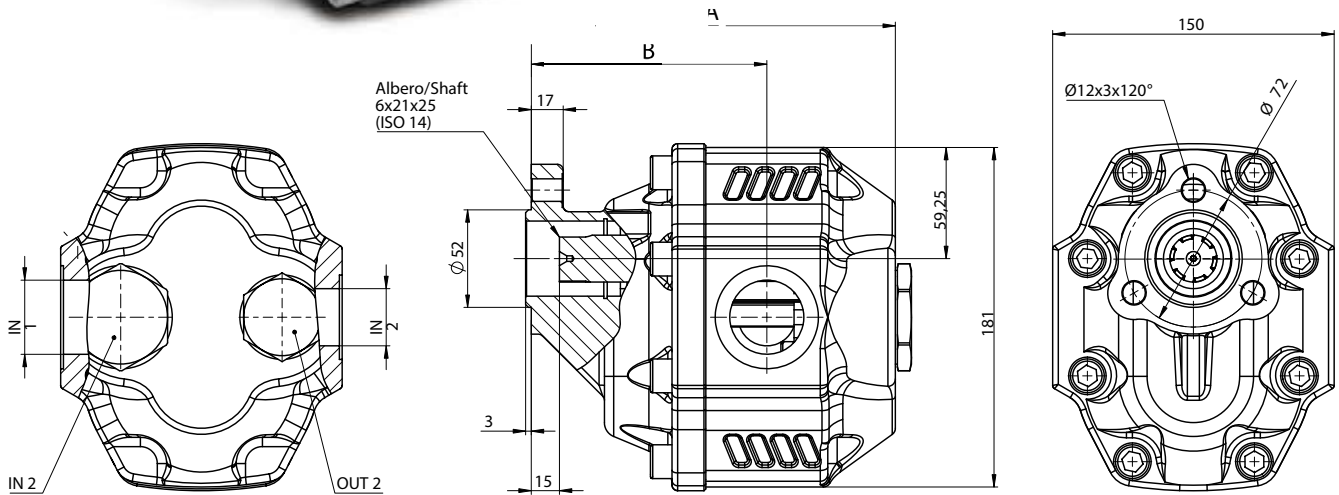
Displacement	Ordering Code		Technical Information						Dimensions					
	Bi-Directional Pump Version	Bi-Directional Motor Version	P1 in bar	P2 in bar	P3 in bar	Maximum Speed	Maximum Intermitt. Peak Speed	min. Pressure	Suction Outlet 1	Suction Outlet 2	Pressure Conn. 1	Pressure Conn. 2	A in mm	B in mm
17,04	030-939-01000	030-939-01050	290	315	325	2500	3000	300	1/2"	1/2"	1/2"	152,5	103,5	8,5
22,15	030-939-01100	030-939-01150	290	315	325	2500	3000	300	1/2"	1/2"	1/2"	156	105,5	9
26,18	030-939-01200	030-939-01250	290	315	325	2500	3000	300	3/4"	1/2"	1/2"	158,5	108	9,5
38,88	030-939-01300	030-939-01350	280	300	310	2200	2800	300	3/4"	3/4"	3/4"	163,5	109	10,5
43,12	030-939-01400	030-939-01450	270	290	300	2000	2500	300	3/4"	3/4"	3/4"	169,5	114	11
50,82	030-939-01500	030-939-01550	240	260	280	2000	2500	300	1"	3/4"	3/4"	174,5	114,5	11,5
60,06	030-939-01600	030-939-01650	220	240	250	1800	2000	300	1"	3/4"	3/4"	180,5	120,5	12
72,88	030-939-01700	030-939-01750	200	220	230	1600	1800	300	1"	3/4"	3/4"	188,5	119,5	12,5
81,08	030-939-01800	030-939-01850	190	210	220	1500	1800	300	1-1/4"	3/4"	3/4"	193,5	124,5	13
90,43	030-939-01900	030-939-01950	180	200	220	1500	1800	300	1-1/4"	1"	3/4"	204,5	132,5	13,5
98,18	030-939-02000	030-939-02050	180	200	220	1500	1800	300	1-1/4"	1"	3/4"	210,5	138,5	14
122,72	030-939-02100	030-939-02150	160	180	200	1500	1800	300	1-1/4"	1"	3/4"	226,5	142,5	16

P1 = max. Pressure (100%)
P2 = max. Intermittent pressure (max. 20 Sec.)
P3 = Peak Pressure (max. 6 Sec.)

A7GP Bi-Directional
Hydraulic Gear Pumps
Cast Iron

A7GM Bi-Directional
Hydraulic Gear Motors
Cast Iron

DIN, ISO, SAE mounting Flanges
TANDEM Gear Pumps
TANDEM Gear Motors, available in stocks now



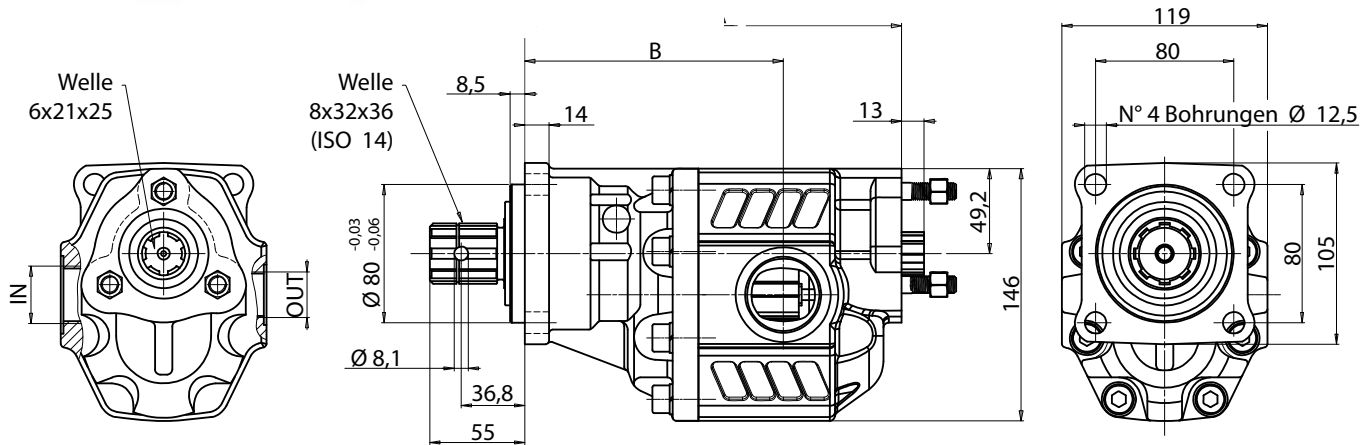
Displacement	Ordering Code		Technical Information							Dimensions				Weight in KG	
	Bi-Directional Pump Version	Bi-Directional Motor Version	P1 in bar	P2 in bar	P3 in bar	Maximum Speed	Maximum Intermitt. Peak Speed	min. Pressure	Suction Outlet 1	Suction Outlet 2	Pressure Conn. 1	Pressure Conn. 2	A in mm		B in mm
63,7	030-949-01000	030-949-01050	290	315	325	1800	2700	300	1"	1"	3/4"	3/4"	186	121	17,5
74,87	030-949-01100	030-949-01150	280	300	315	1800	2700	300	1"	1"	3/4"	3/4"	190	125	18,5
85,96	030-949-01200	030-949-01250	260	280	290	1800	2700	300	1-1/4"	1-1/4"	1"	1"	194	125,5	19
102,6	030-949-01300	030-949-01350	250	270	280	1800	2700	300	1-1/4"	1-1/4"	1"	1"	200	129	19,5
119,24	030-949-01400	030-949-01450	240	260	270	1500	2700	300	1-1/4"	1-1/4"	1"	1"	206	135	20
135,88	030-949-01500	030-949-01550	220	250	260	1500	2500	300	1-1/2"	1-1/2"	1"	1"	216	137	21
149,75	030-949-01600	030-949-01650	180	210	220	1500	2500	300	1-1/2"	1-1/2"	1"	1"	221	142	21,5

P1 = max. Pressure (100%)
P2 = max. Intermittent pressure (max. 20 Sec.)
P3 = Peak Pressure (max. 6 Sec.)

A7GP Bi-Directional
Hydraulic Gear Pumps
Cast Iron

A7GM Bi-Directional
Hydraulic Gear Motors
Cast Iron

DIN, ISO, SAE mounting Flanges
TANDEM Gear Pumps
TANDEM Gear Motors, available in stocks now



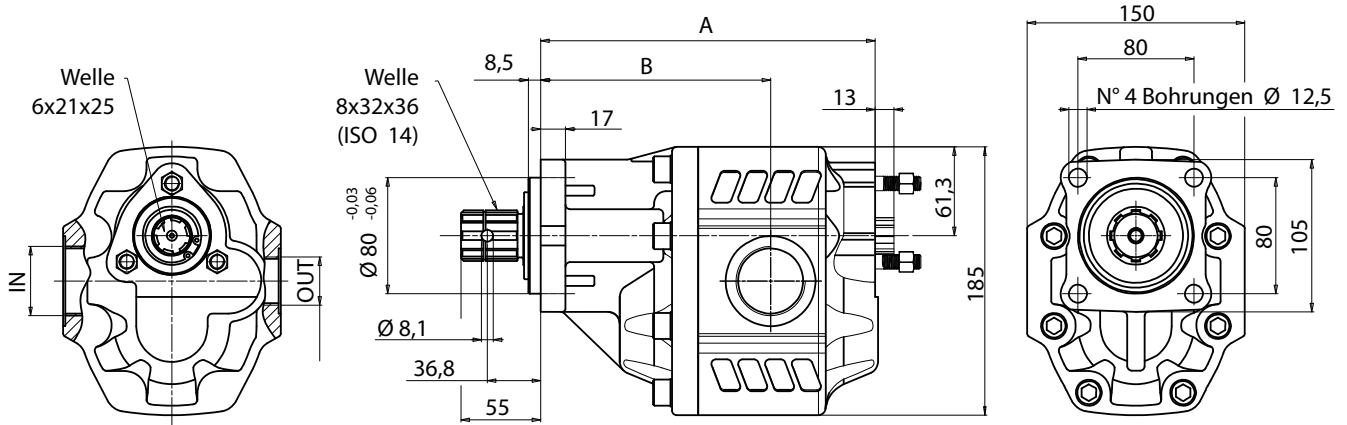
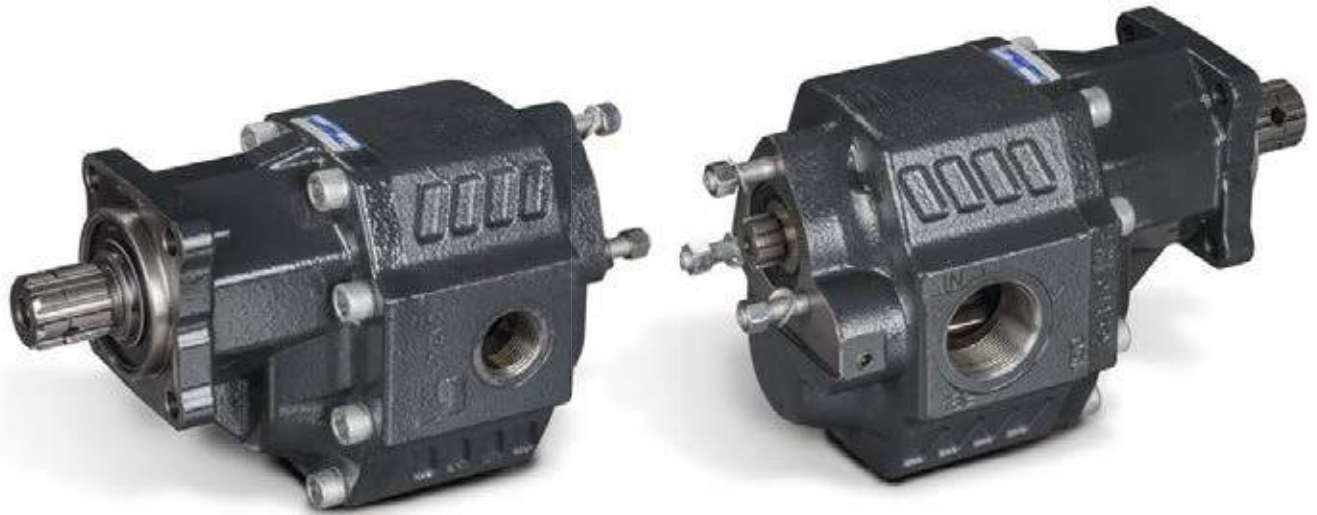
Displacement	Ordering Code		Technical Information						Dimensions					
	Bi-Directional Pump Version	Bi-Directional Motor Version	P1 in bar	P2 in bar	P3 in bar	Maximum Speed	Maximum Intermitt. Peak Speed	min. Pressure	Suction Outlet 1	Suction Outlet 2	Pressure Conn. 1	Pressure Conn. 2	A in mm	B in mm
17,04	035-959-01000	035-959-01050	290	315	325	2500	3000	300	1/2"	1/2"	180	119	10,6	
22,15	035-959-01100	035-959-01150	290	315	325	2500	3000	300	1/2"	1/2"	183,5	121,5	11	
26,18	035-959-01200	035-959-01250	290	315	325	2500	3000	300	1/2"	1/2"	186	124	11,5	
33,88	035-959-01300	035-959-01350	280	300	310	2200	2800	300	3/4"	3/4"	191	124	12,5	
43,12	035-959-01400	035-959-01450	270	290	300	2000	2500	300	3/4"	3/4"	197	130	13	
50,82	035-959-01500	035-959-01550	240	260	280	2000	2500	300	3/4"	3/4"	202	130,5	13,5	
60,06	035-959-01600	035-959-01650	220	240	250	1800	2000	300	1"	1"	208	136,5	14	
72,88	035-959-01700	035-959-01750	200	220	230	1600	1800	300	1"	1"	216	135,5	14,5	
81,08	035-959-01800	035-959-01850	190	210	220	1500	1800	300	1-1/4"	1-1/4"	221	142,5	14,9	

P1 = max. Pressure (100%)
P2 = max. Intermittent pressure (max. 20 Sec.)
P3 = Peak Pressure (max. 6 Sec.)

A7GP Bi-Directional
Hydraulic Gear Pumps
Cast Iron

A7GM Bi-Directional
Hydraulic Gear Motors
Cast Iron

DIN, ISO, SAE mounting Flanges
TANDEM Gear Pumps
TANDEM Gear Motors, available in stocks now



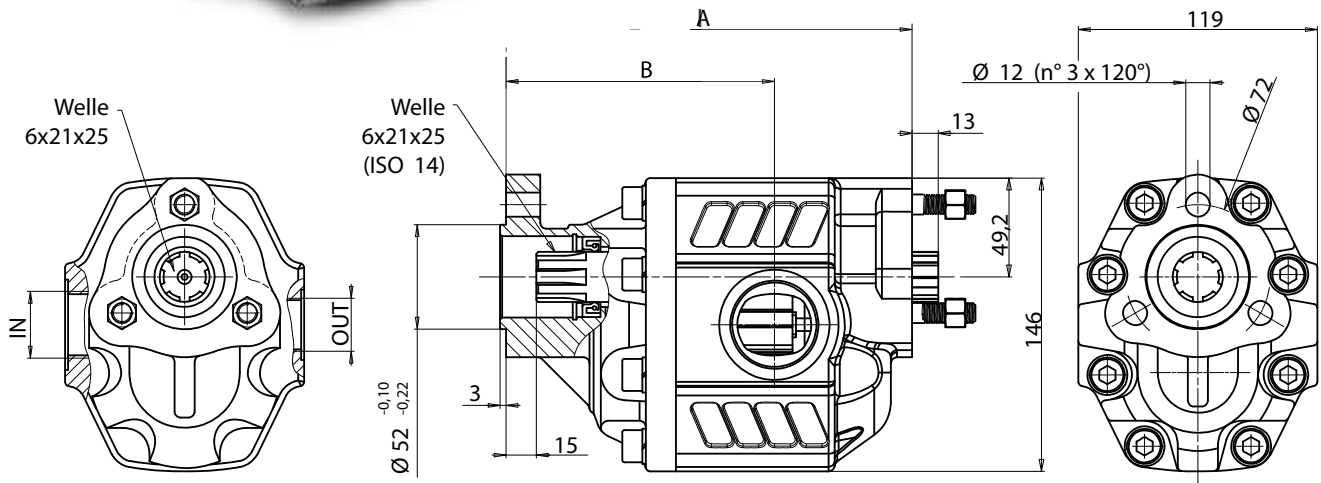
Displacement	Ordering Code		Technical Information						Dimensions					
	Bi-Directional Pump Version	Bi-Directional Motor Version	P1 in bar	P2 in bar	P3 in bar	Maximum Speed	Maximum Intermitt. Peak Speed	min. Pressure	Suction Outlet 1	Suction Outlet 2	Pressure Conn. 1	Pressure Conn. 2	A in mm	B in mm
63,7	035-969-01000	035-969-01050	290	315	325	1800	2700	2700	300	1"	3/4"	199,5	136,5	20,1
74,87	035-969-01100	035-969-01150	280	300	315	1800	2700	2700	300	1"	3/4"	203,5	140,5	20,7
85,96	035-969-01200	035-969-01250	260	280	290	1800	2700	2700	300	1-1/4"	1"	207,5	141	20,9
102,6	035-969-01300	035-969-01350	250	270	280	1800	2700	2700	300	1-1/4"	1"	213,5	144,5	21,5
119,24	035-969-01400	035-969-01450	240	260	270	1500	2700	2700	300	1-1/4"	1"	219,5	150,5	22
135,88	035-969-01500	035-969-01550	220	250	260	1500	2500	2500	300	1-1/2"	1"	225,5	153,5	22,8
149,75	035-969-01600	035-969-01650	180	210	220	1500	2500	2500	300	1-1/2"	1"	230,5	158,8	24,1

P1 = max. Pressure (100%)
P2 = max. Intermittent pressure (max. 20 Sec.)
P3 = Peak Pressure (max. 6 Sec.)

A7GP Bi-Directional
Hydraulic Gear Pumps
Cast Iron

A7GM Bi-Directional
Hydraulic Gear Motors
Cast Iron

DIN, ISO, SAE mounting Flanges
TANDEM Gear Pumps
TANDEM Gear Motors, available in stocks now



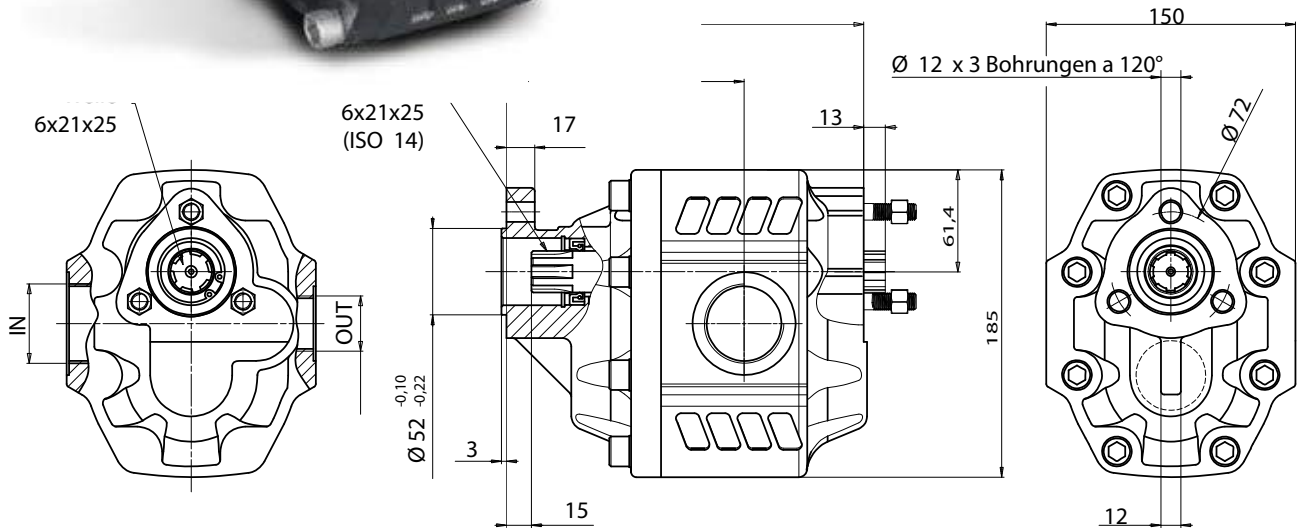
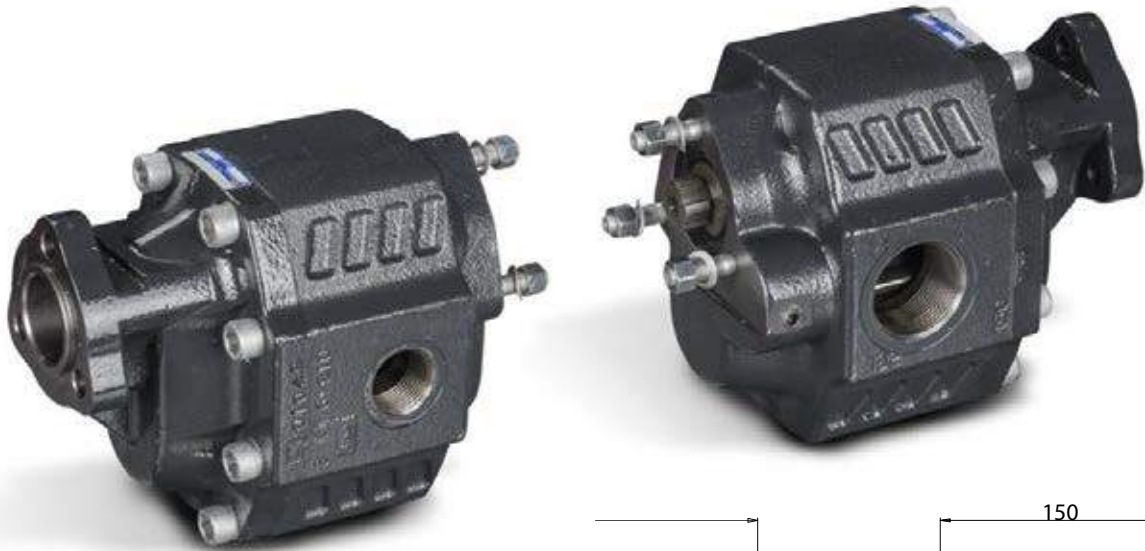
Displacement	Ordering Code		Technical Information						Dimensions					
	Bi-Directional Pump Version	Bi-Directional Motor Version	P1 in bar	P2 in bar	P3 in bar	Maximum Speed	Maximum Intermitt. Peak Speed	min. Pressure	Suction Outlet 1	Suction Outlet 2	Pressure Conn. 1	Pressure Conn. 2	A in mm	B in mm
17,04	035-979-01000	035-979-01050	290	315	325	2500	3000	300	1/2"	1/2"	164	103	9,6	
22,15	035-979-01100	035-979-01150	290	315	325	2500	3000	300	1/2"	1/2"	167,5	105,5	9,8	
26,18	035-979-01200	035-979-01250	290	315	325	2500	3000	300	1/2"	1/2"	170	108	10,1	
33,88	035-979-01300	035-979-01350	280	300	310	2200	2800	300	3/4"	3/4"	175	108	10,5	
43,12	035-979-01400	035-979-01450	270	290	300	2000	2500	300	3/4"	3/4"	181	114	11,02	
50,82	035-979-01500	035-979-01550	240	260	280	2000	2500	300	3/4"	3/4"	186	114,5	11,3	
60,06	035-979-01600	035-979-01650	220	240	250	1800	2000	300	1"	1"	192	120,5	11,8	
72,88	035-979-01700	035-979-01750	200	220	230	1600	1800	300	1"	1"	200	119,5	12,4	
81,08	035-979-01800	035-979-01850	190	210	220	1500	1800	300	1-1/4"	1-1/4"	205	126,5	12,6	

P1 = max. Pressure (100%)
P2 = max. Intermittent pressure (max. 20 Sec.)
P3 = Peak Pressure (max. 6 Sec.)

A7GP Bi-Directional
Hydraulic Gear Pumps
Cast Iron

A7GM Bi-Directional
Hydraulic Gear Motors
Cast Iron

DIN, ISO, SAE mounting Flanges
TANDEM Gear Pumps
TANDEM Gear Motors, available in stocks now



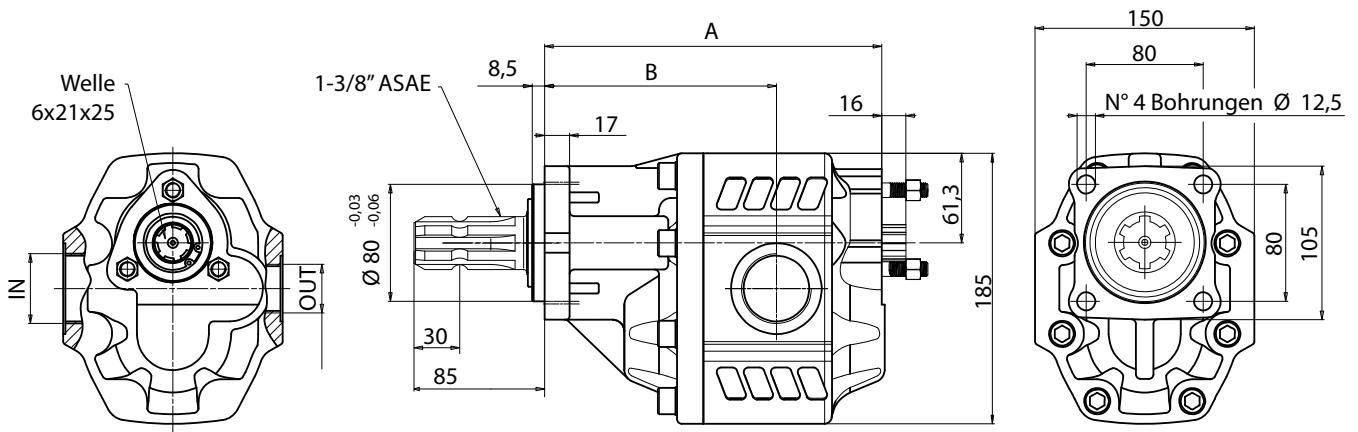
Displacement	Ordering Code		Technical Information					Dimensions					Weight in KG
	Bi-Directional Pump Version	Bi-Directional Motor Version	P1 in bar	P2 in bar	P3 in bar	Maximum Speed	Maximum Intermitt. Peak Speed	min. Pressure	Suction Outlet 1	Suction Outlet 2	Pressure Conn. 1	Pressure Conn. 2	
63,7	035-989-01000	035-989-01050	290	315	325	1800	2700	300	1"	3/4"	184	121	17
74,87	035-989-01100	035-989-01150	280	300	315	1800	2700	300	1"	3/4"	188	125	18
85,96	035-989-01200	035-989-01250	260	280	290	1800	2700	300	1-1/4"	1"	192	125,5	18,5
102,6	035-989-01300	035-989-01350	250	270	280	1800	2700	300	1-1/4"	1"	198	129	19
119,24	035-989-01400	035-989-01450	240	260	270	1500	2700	300	1-1/4"	1"	204	135	19,5
135,88	035-989-01500	035-989-01550	220	250	260	1500	2500	300	1-1/2"	1"	210	138	20,5
149,75	035-989-01600	035-989-01650	180	210	220	1500	2500	300	1-1/2"	1"	215	143	21

P1 = max. Pressure (100%)
P2 = max. Intermittent pressure (max. 20 Sec.)
P3 = Peak Pressure (max. 6 Sec.)

A7GP Bi-Directional
Hydraulic Gear Pumps
Cast Iron

A7GM Bi-Directional
Hydraulic Gear Motors
Cast Iron

DIN, ISO, SAE mounting Flanges
TANDEM Gear Pumps
TANDEM Gear Motors, available in stocks now



Displacement	Ordering Code		Technical Information					Dimensions						
	Bi-Directional Pump Version	Bi-Directional Motor Version	P1 in bar	P2 in bar	P3 in bar	Maximum Speed	Maximum Intermitt. Peak Speed	min. Pressure	Suction Outlet 1	Suction Outlet 2	Pressure Conn. 1	Pressure Conn. 2	A in mm	B in mm
63,7	035-999-01000	035-999-01050	290	315	325	1800	2700	300	1"	3/4"	199,5	136,5		
74,87	035-999-01100	035-999-01150	280	300	315	1800	2700	300	1"	3/4"	203,5	140,5		
85,96	035-999-01200	035-999-01250	260	280	290	1800	2700	300	1-1/4"	1"	207,5	141		
102,6	035-999-01300	035-999-01350	250	270	280	1800	2700	300	1-1/4"	1"	213,5	144,5		
119,24	035-999-01400	035-999-01450	240	260	270	1500	2700	300	1-1/4"	1"	219,5	150,5		
135,88	035-999-01500	035-999-01550	220	250	260	1500	2500	300	1-1/2"	1"	225,5	153,5		
149,75	035-999-01600	035-999-01650	180	210	220	1500	2500	300	1-1/2"	1"	230,5	158,5		

P1 = max. Pressure (100%)
P2 = max. Intermittent pressure (max. 20 Sec.)
P3 = Peak Pressure (max. 6 Sec.)

Complete Product Range

Piston Pumps

Piston Motors

DIN

DIN 5462 / ISO 14
8x32x35
8x32x36
DIN 6885



A8PD



A9MD

ISO

ISO 3019-2 (4 BOLTS)
DIN 5480 -W25,30,35,40,45
DIN 6885 -Ø20,25,30,35,40,45



A8PO



A9MO

SAE

SAE B2 C4 - SAE D
SAE J498b
SAE J 744



A8PS



A9MS

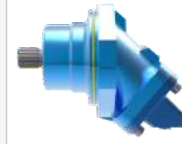
M2

Fixed Plug-in

DIN 5480 / ISO 3019-2
W30 - W35 - W40
M21 - M22 - M23



A8PL - Dual Flow



A9MF - Semi integrated

A4

DIN ISO 14
8x32x36



A4PP Single Flow



A4PL Dual Flow

A6

P2 Connection M8x125
Woodruff key 3x6,5 NF E
27-653 NF R 124-04
(2 BOLTS)



A6HP - High Pressure



**A7GP - Gear Pump
A7GM - Gear Motor**

Contact



Gold Hydraulics, Ltd.

2019® Catalogue

All pictures and banners are patented by owner.

www.goldhydraulics.com

For more details and other catalogs,
please send email to our team.

Hydraulic Bent Axis Piston Pumps
Bent Axis Motors
Dual Flow Piston Pumps and Gear Pumps...

Sales Team

info@goldhydraulics.com

Order

order@goldhydraulics.com

Management

mail@goldhydraulics.com



www.goldhydraulics.com