



A8PS

Bent Axis Piston Pump

SAE Flange



A8PS Pumps have the following advantages ;

- Compact Design,
- Economical Conception,
- High Power Density,
- High Overall Efficiency,
- High Rotating Speeds,
- High Output Pressure,
- 350 bar Cont. Work. Pressure,
- 400 bar Peak Pressure,
- From 5cc to 130cc,
- Reduced Noise Level,
- Increased Reliability,
- No Drain Line Necessary,
- Smaller Installation Dimensions,
- One Piece Pistons with Piston Rings,
- Special Inlet Fittings & Accessories,
- Simple Change of Direction of Rotation

Other Advantages of A8PS

New frame sizes to meet market requirements.

For use in mobile & industrial and stationary applications areas.

The pump drive shaft bearings are designed to give the service life expected in these areas of operation.

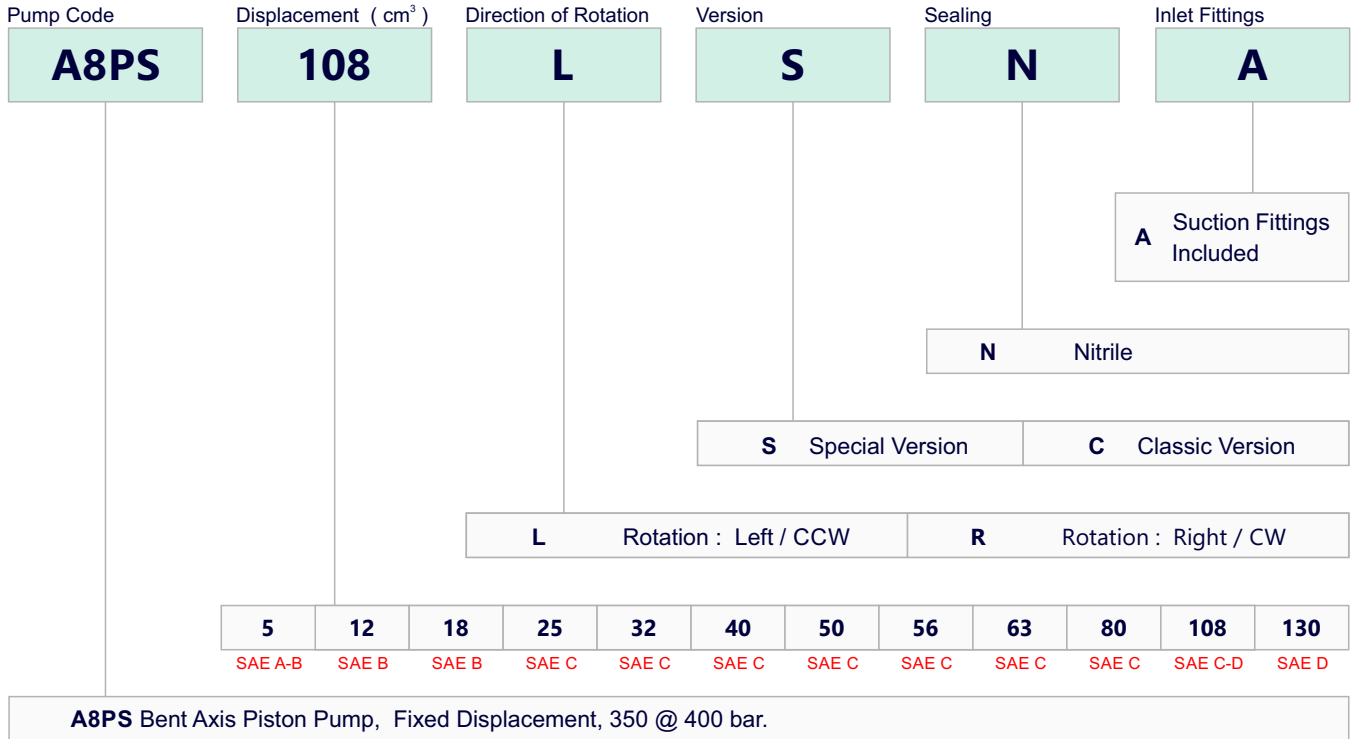
Interchangeable with other bent axis pumps.

40° bent axis design giving high power, small overall dimensions, optimum efficiency and economic design. Flange and shaft designed for direct mounting on truck gearbox PTO's. The fixed displacement bent axis pumps generates a hydraulic fluid flow. It is designed for use in trucks, commercial vehicles and all stationary hydraulic applications. The A8PS is a fixed pump with rotary group in bent-axis design open circuits. Flow is proportional to drive speed and displacement.

For axial piston units with bent-axis design, the Pistons are arranged diagonally with respect to the drive shaft. The pump covers the whole displacement range 5 to 130 cm³/rev. The pump has been developed with modern styling and design to satisfy market demand as to designed new generation plate and pistons with give high flow performance, high pressures with high efficiency and very small dimensions.

The pump is available both to DIN and SAE world standards and can be mounted either directly at the gear box or via a drive shaft. If necessary it can also be augmented with a by-pass valve. Other brand bent axis pumps compatible and interchangeable with A8PS bent axis pumps. Refer to the data sheet and order confirmation for the technical data, operating conditions and operating limits of the bent axis piston pumps.

Ordering Code of A8PS Pumps



Special Version ; Back Cover
Drive Shaft
Mounting Flange

Formulas

Formulas			
Pump Output Flow	GPM	$GPM = (\text{Speed (rpm)} \times \text{disp. (cu. in.)}) / 231$	$GPM = (n \times d) / 231$
Pump Input Horsepower	HP	$HP = GPM \times \text{Pressure (psi)} / 1714 \times \text{Efficiency}$	$HP = (Q \times P) / 1714 \times E$
Pump Efficiency	E	Overall Efficiency = Output HP / Input HP	E _{Overall} = HP _{Out} / HP _{In} X 100
		Overall Efficiency = Volumetric Eff. × Mechanical Eff.	E _{Overall} = Eff _{Vol.} × Eff _{Mech.}
Pump Volumetric Efficiency	E	Volumetric Efficiency = Actual Flow Rate Output (GPM) / Theoretical Flow Rate Output (GPM) × 100	Eff _{Vol.} = Q _{Act.} / Q _{Theo.} X 100
Pump Mechanical Efficiency	E	Mechanical Efficiency = Theoretical Torque to Drive / Actual Torque to Drive × 100	Eff _{Mech} = T _{Theo.} / T _{Act.} × 100
Pump Displacement	CIPR	Displcmnt (In.3 / rev.) = Flow Rate (GPM) × 231 / Pump RPM	CIPR = GPM × 231 / RPM
Pump Torque	T	Torque = Horsepower × 63025 / RPM	T = 63025 × HP / RPM
		Torque = Pressure (PSIG) × Pump Displacement (CIPR) / 2π	T = P × CIPR / 6.28

Horsepower for driving a pump : For every 1 hp of drive, the equivalent of 1 gpm @ 1500 psi can be produced.

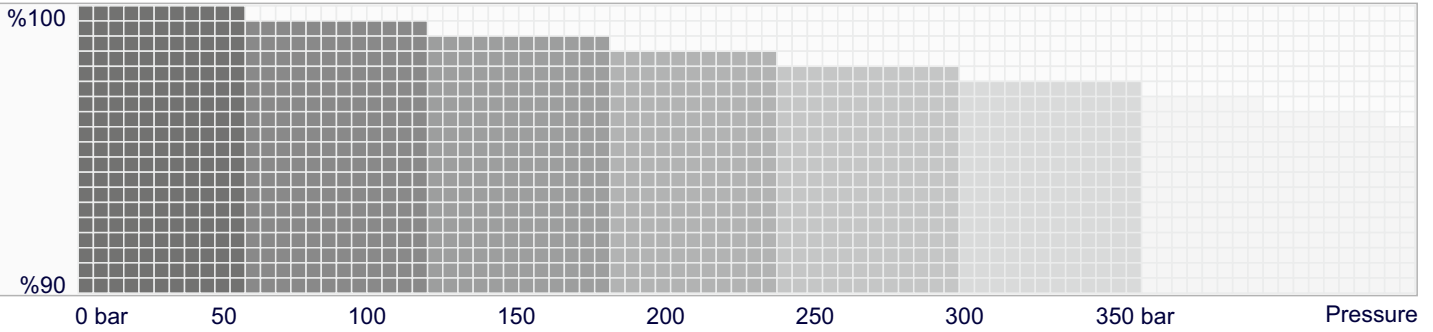
Horsepower for idling a pump : To idle a pump when it is unloaded will require about 5% of it's full rated power

Wattage for heating hydraulic oil : Each watt will raise the temperature of 1 gallon of oil by 1° F. per hour.

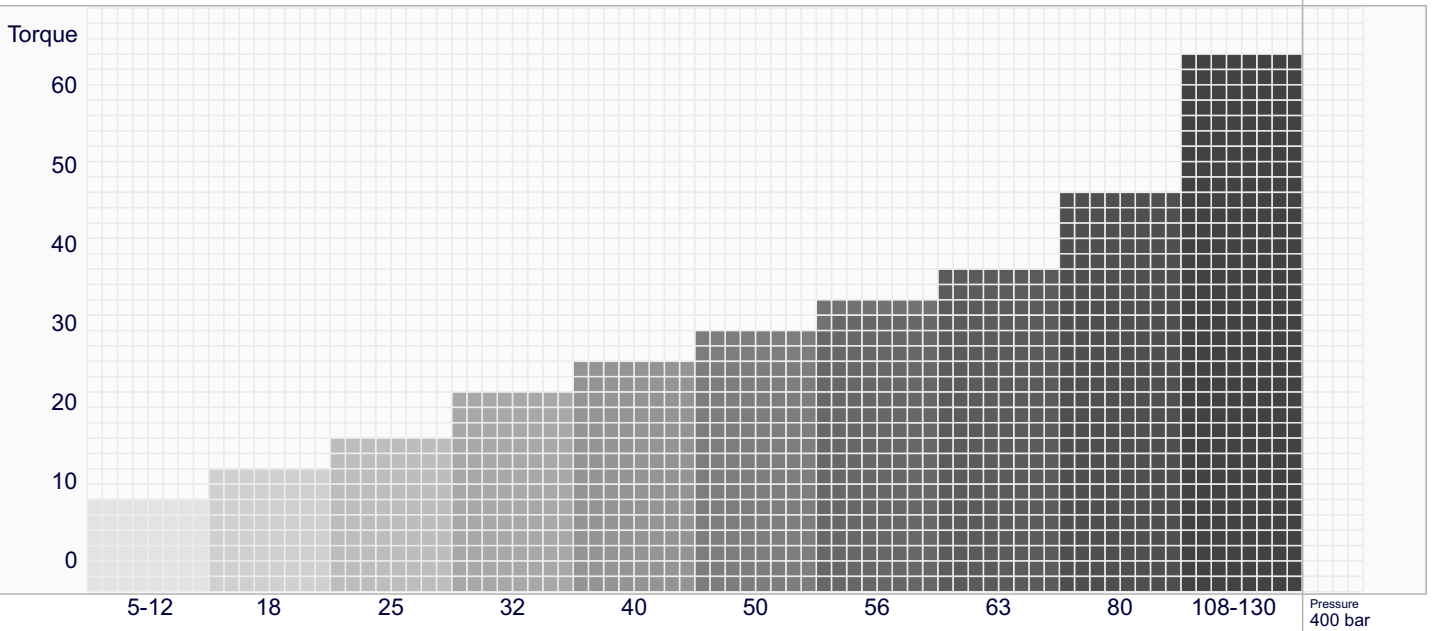
Flow velocity in hydraulic lines : Pump suction lines 2 to 4 feet per second, pressure lines up to 500 psi - 10 to 15 ft./sec., pressure lines 500 to 3000 psi - 15 to 20 ft./sec.; all oil lines in air-over-oil systems; 4 ft./sec.

Performance

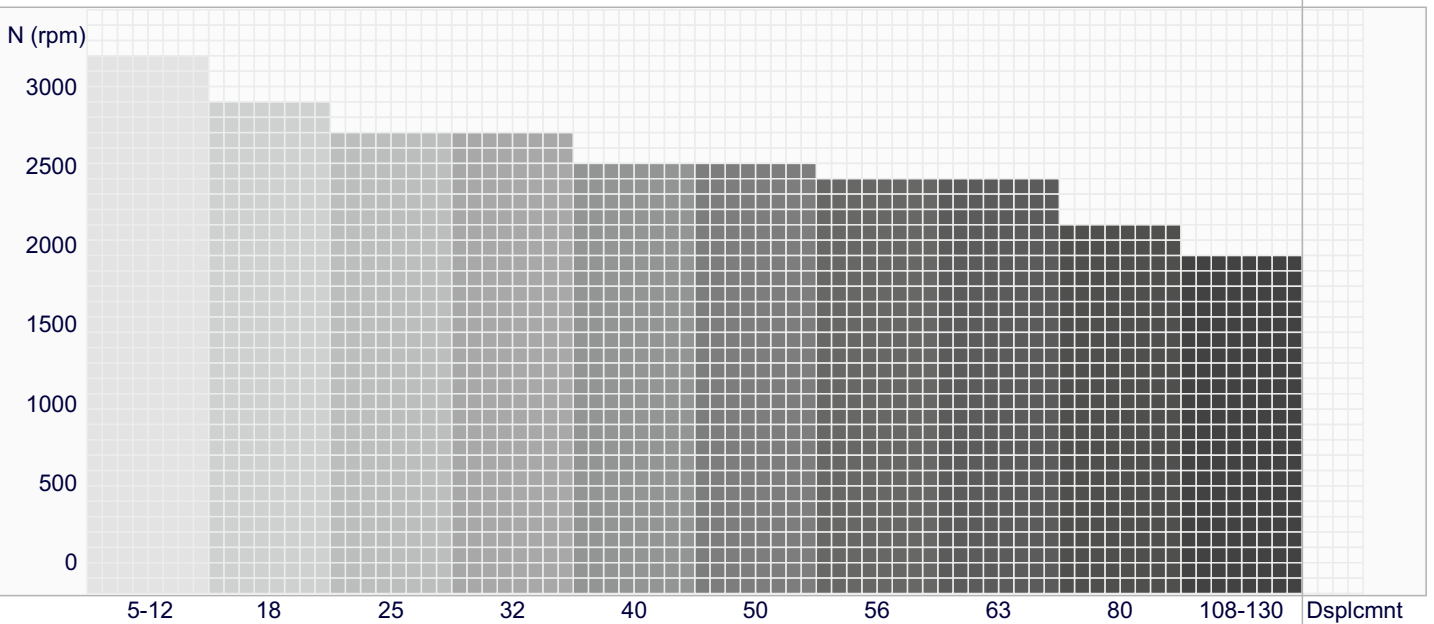
Efficiency Curves (1000 rpm)



Torque with Pump Output Pressure

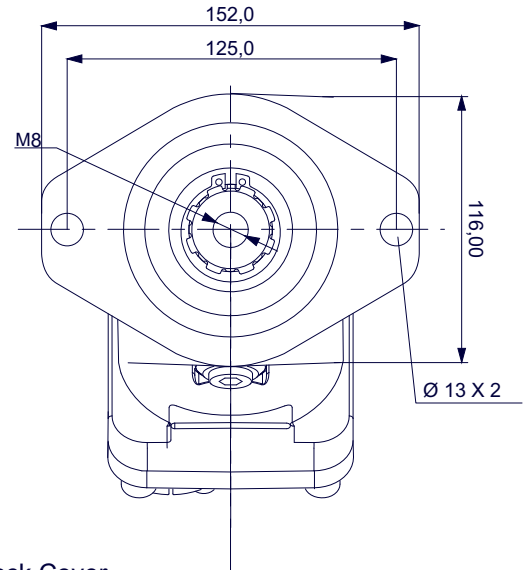
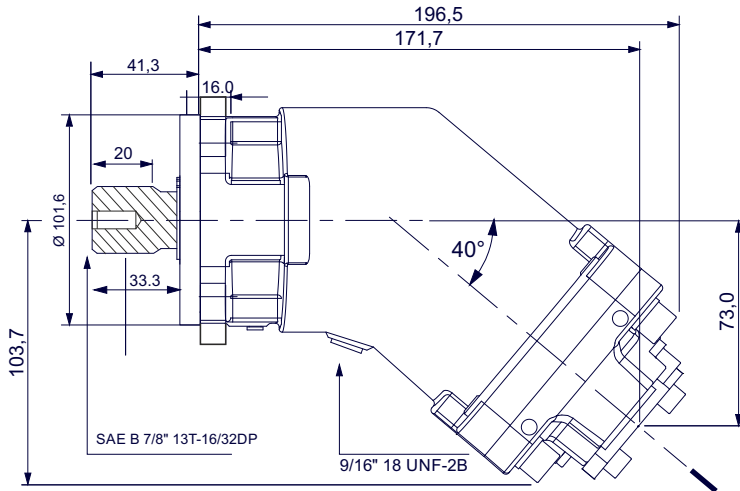


Flow with Pump Speed



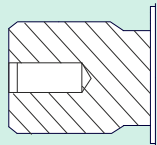
A8PS 5 - SAE A - 2 BOLT

SAE A - 2 BOLT MOUNTING FLANGE



Spline Shaft

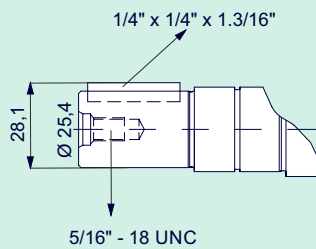
ALL SPLINED SPECIAL DIMENSION SHAFTS AVAILABLE



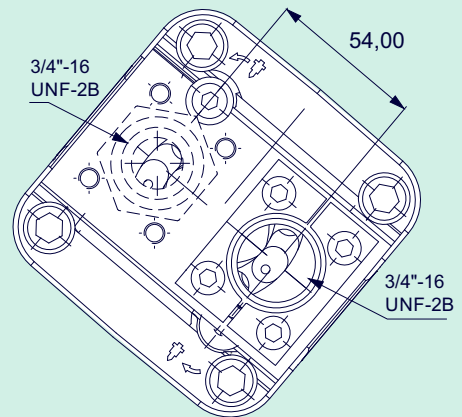
13T-16/32DP 30° Class 5

Keyed Shaft

ALL KEYED SPECIAL DIMENSION SHAFTS AVAILABLE

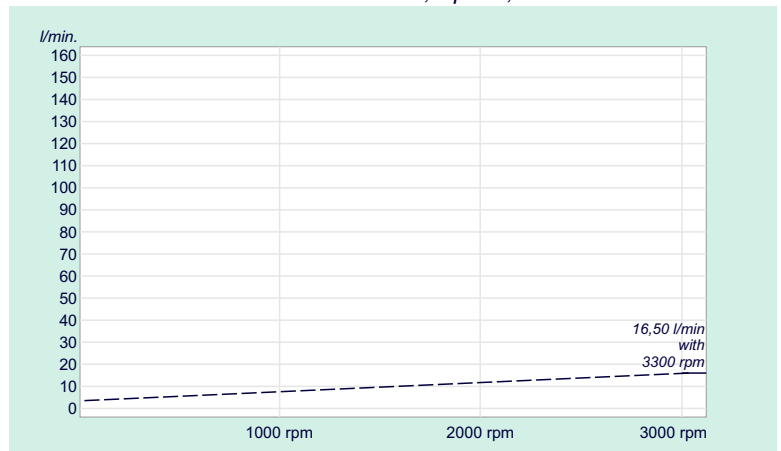


Back Cover



Flow, Speed, Pressure List of A8PS 5

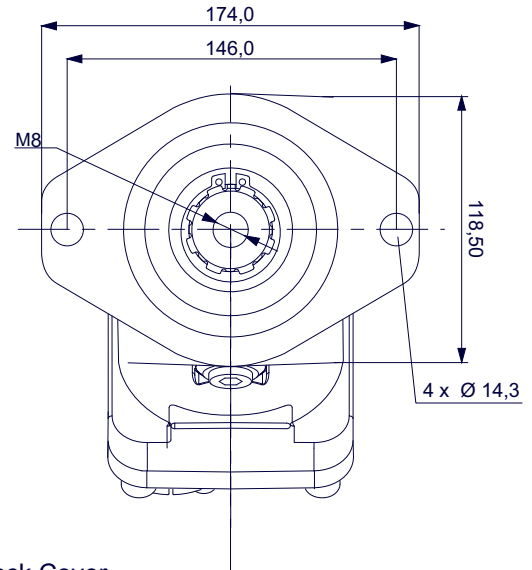
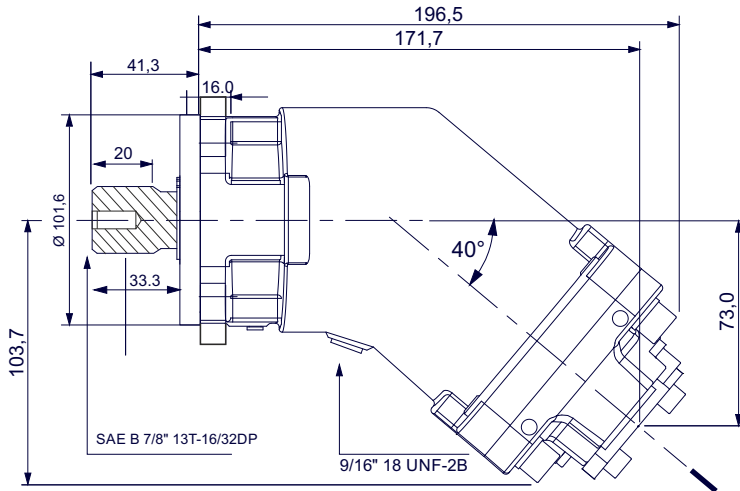
x 1000 rpm	5,00 cc
x 1500 rpm	7,50 cc
Max. Continuous Pump Speed	2500 rpm
Max. Limited Pump Speed	3300 rpm
Max. Continuous Pressure	350 bar
Max. Intermit. Peak Pressure	400 bar
Max. Torque at 350 bar	66 Nm
Weight without inlet fitting	9,00 kg
Weight with inlet fitting	9,45 kg
Rotation	CW-CCW



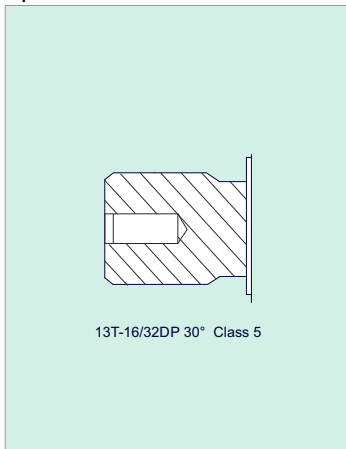
A8PS 5 - SAE B - 2 BOLT

SAE B 7/8" 13T-16/32DP

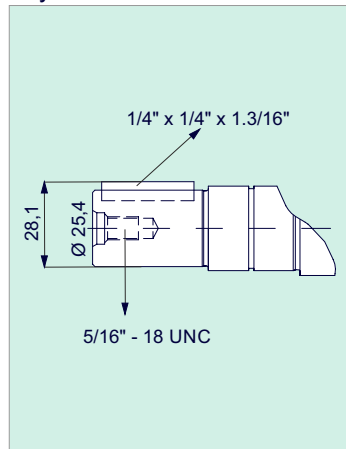
SAE B - 2 BOLT MOUNTING (SAE J744)



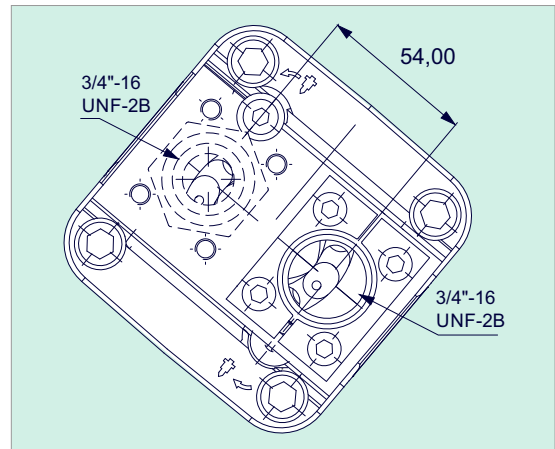
Spline Shaft



Keyed Shaft

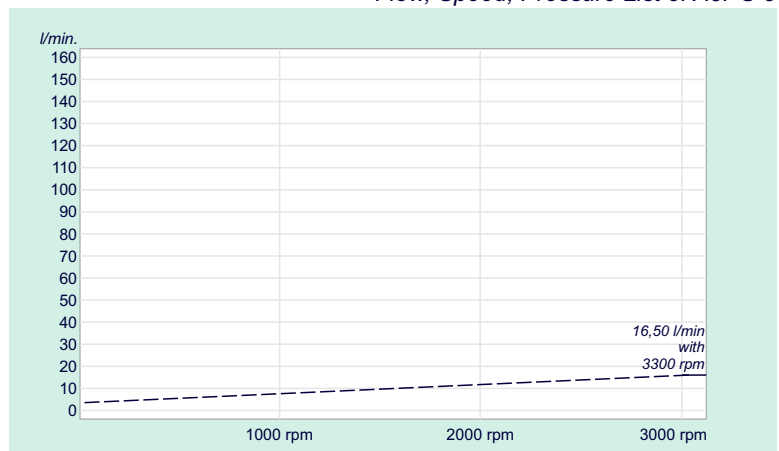


Back Cover



Flow, Speed, Pressure List of A8PS 5

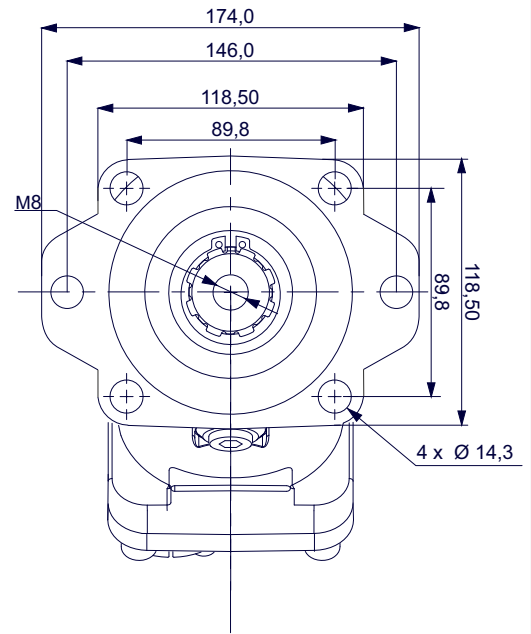
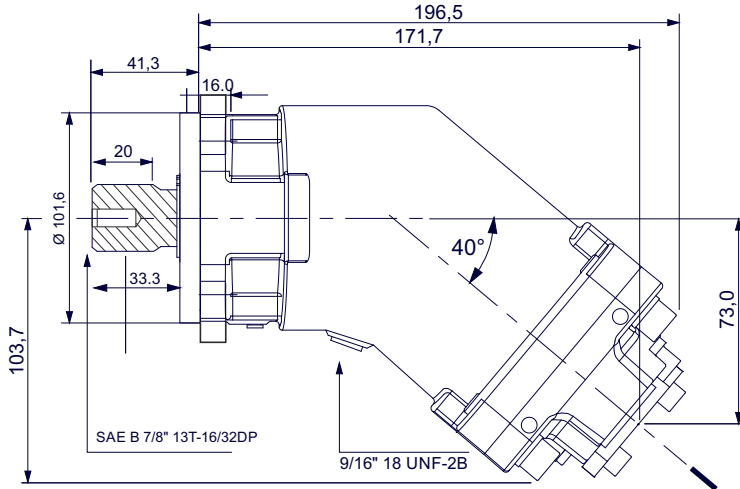
x 1000 rpm	5,00 cc
x 1500 rpm	7,50 cc
Max. Continuous Pump Speed	2500 rpm
Max. Limited Pump Speed	3300 rpm
Max. Continuous Pressure	350 bar
Max. Intermit. Peak Pressure	400 bar
Max. Torque at 350 bar	66 Nm
Weight without inlet fitting	9,00 kg
Weight with inlet fitting	9,45 kg
Rotation	CW-CCW



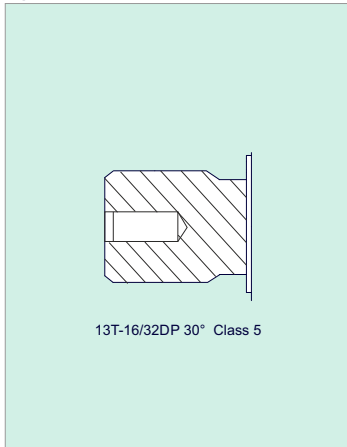
A8PS 5 - SAE B - 6 BOLT

SAE B 7/8" 13T-16/32DP

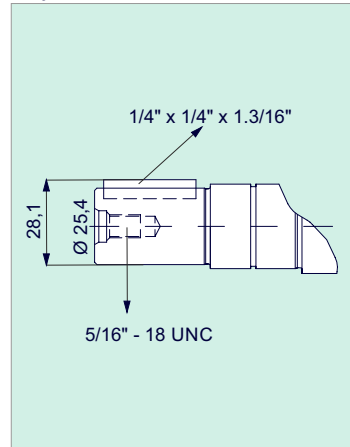
SAE B - 6 BOLT MOUNTING (SAE J744)



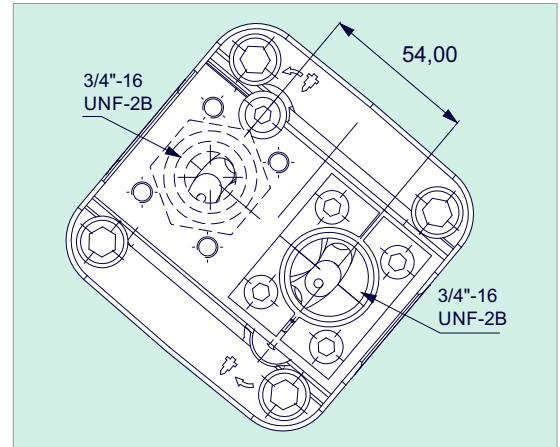
Spline Shaft



Keyed Shaft

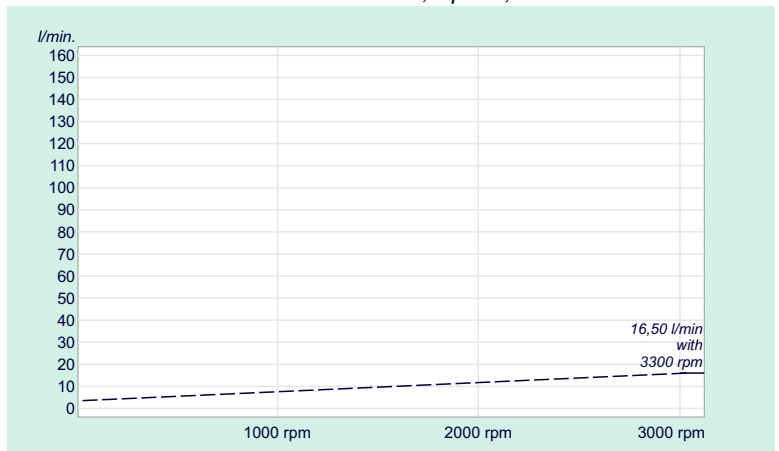


Back Cover



Flow, Speed, Pressure List of A8PS 5

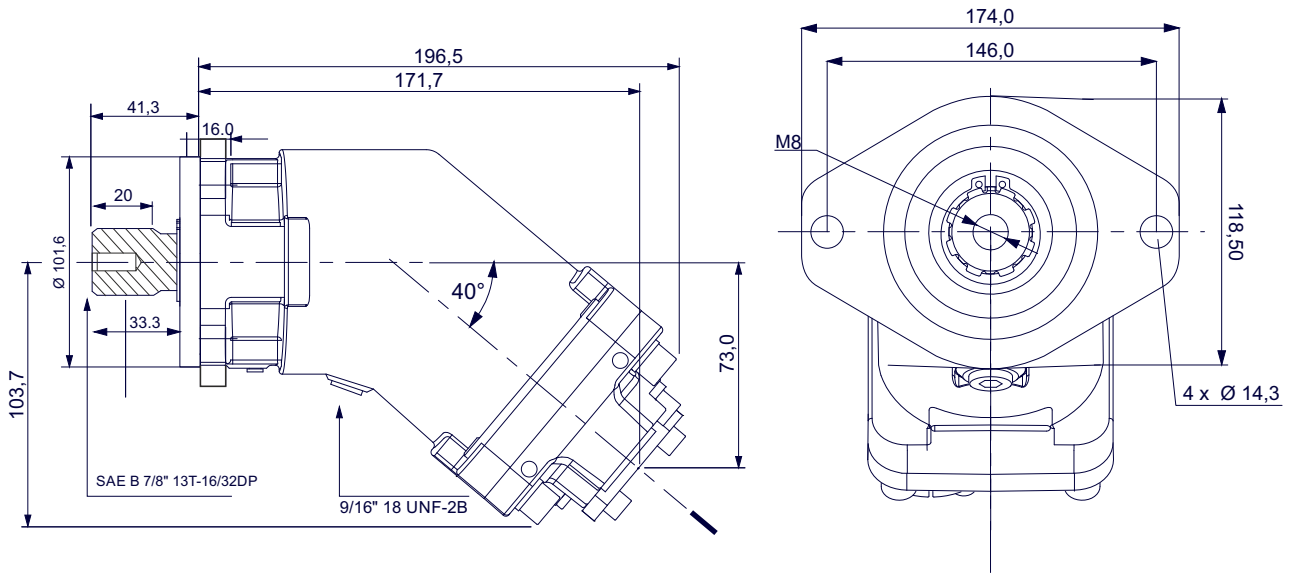
x 1000 rpm	5,00 cc
x 1500 rpm	7,50 cc
Max. Continuous Pump Speed	2500 rpm
Max. Limited Pump Speed	3300 rpm
Max. Continuous Pressure	350 bar
Max. Intermit. Peak Pressure	400 bar
Max. Torque at 350 bar	66 Nm
Weight without inlet fitting	9,00 kg
Weight with inlet fitting	9,45 kg
Rotation	CW-CCW



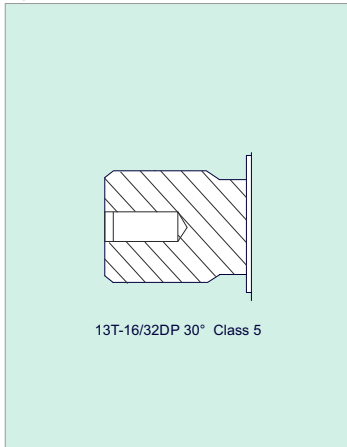
A8PS 12 - SAE B - 2 BOLT

SAE B 7/8" 13T-16/32DP

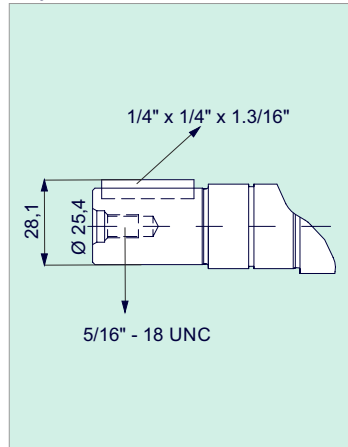
SAE B - 2 BOLT MOUNTING (SAE J744)



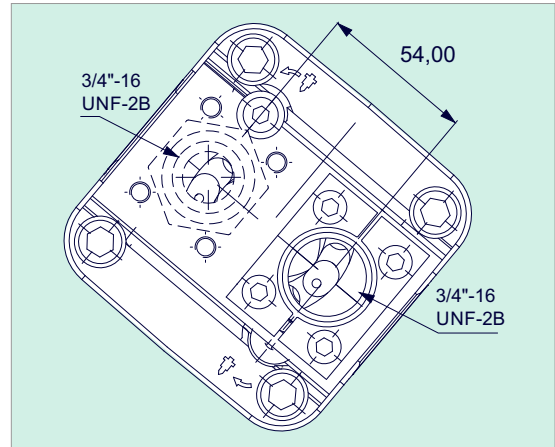
Spline Shaft



Keyed Shaft

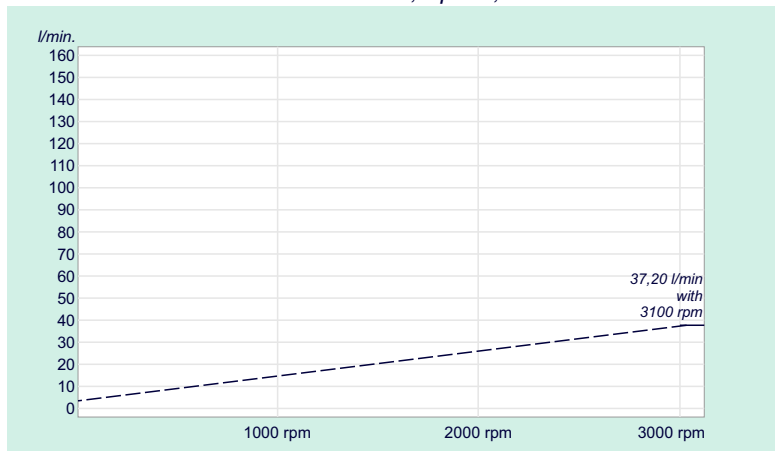


Back Cover



Flow, Speed, Pressure List of A8PS 12

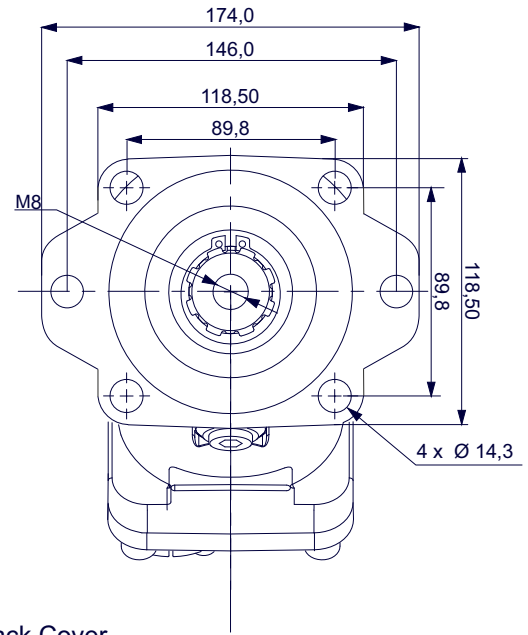
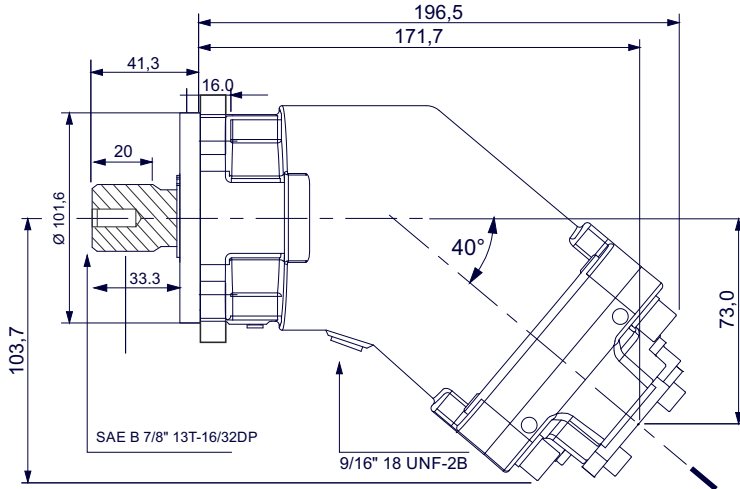
x 1000 rpm	12,00 cc
x 1500 rpm	18,00 cc
Max. Continuous Pump Speed	2300 rpm
Max. Limited Pump Speed	3100 rpm
Max. Continuous Pressure	350 bar
Max. Intermit. Peak Pressure	400 bar
Max. Torque at 350 bar	71 Nm
Weight without inlet fitting	10,00 kg
Weight with inlet fitting	10,40 kg
Rotation	CW-CCW



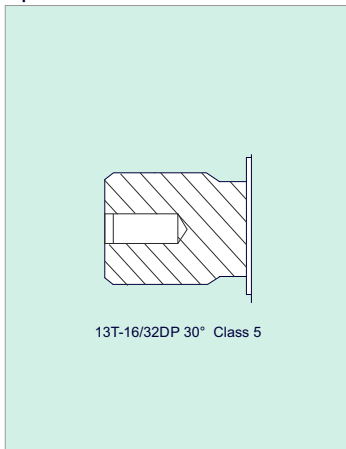
A8PS 12 - SAE B - 6 BOLT

SAE B 7/8" 13T-16/32DP

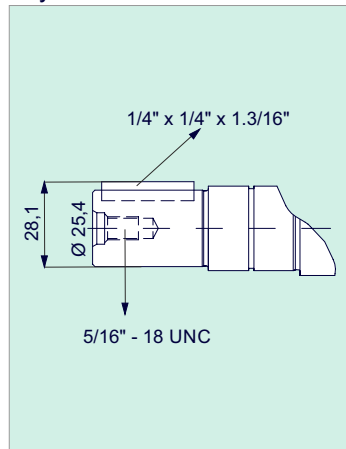
SAE B - 6 BOLT MOUNTING (SAE J744)



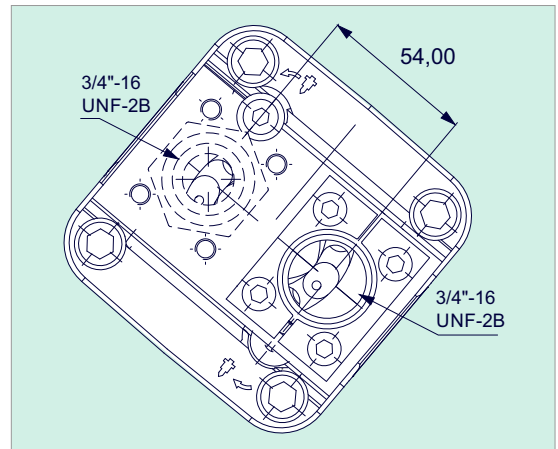
Spline Shaft



Keyed Shaft

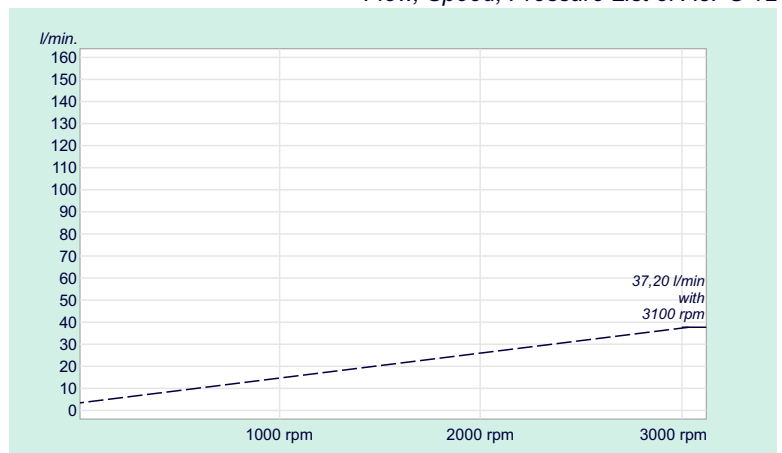


Back Cover



Flow, Speed, Pressure List of A8PS 12

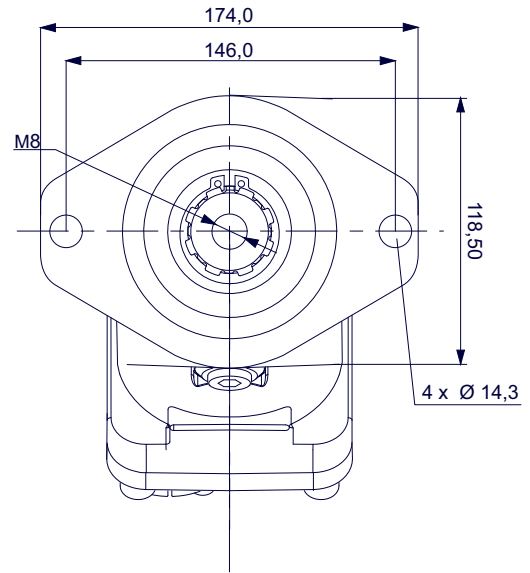
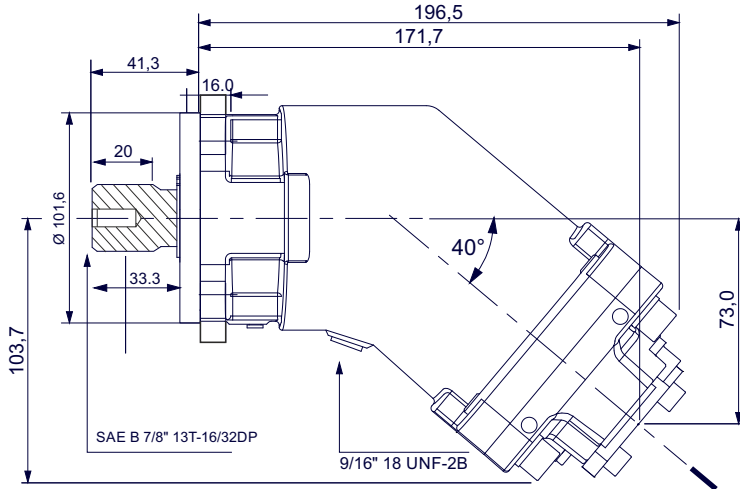
x 1000 rpm	12,00 cc
x 1500 rpm	18,00 cc
Max. Continuous Pump Speed	2300 rpm
Max. Limited Pump Speed	3100 rpm
Max. Continuous Pressure	350 bar
Max. Intermit. Peak Pressure	400 bar
Max. Torque at 350 bar	71 Nm
Weight without inlet fitting	10,00 kg
Weight with inlet fitting	10,40 kg
Rotation	CW-CCW



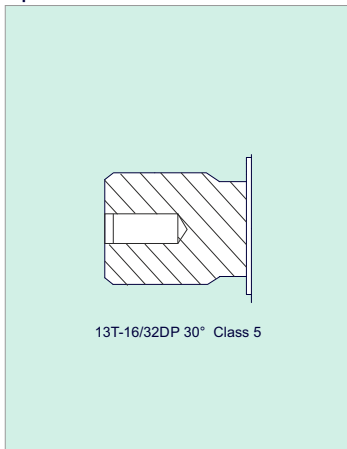
A8PS 18 - SAE B - 2 BOLT

SAE B 7/8" 13T-16/32DP

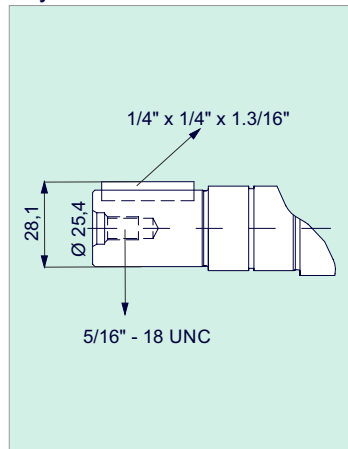
SAE B - 2 BOLT MOUNTING (SAE J744)



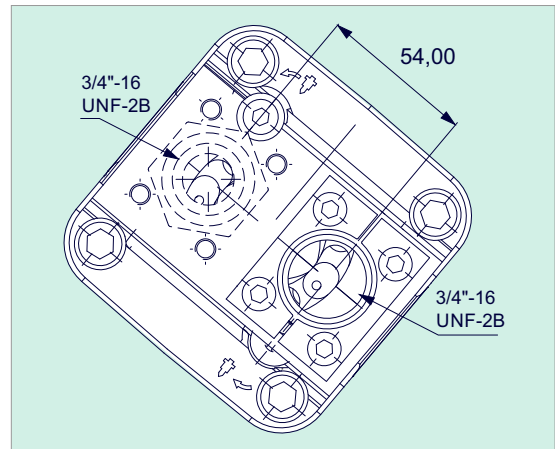
Spline Shaft



Keyed Shaft

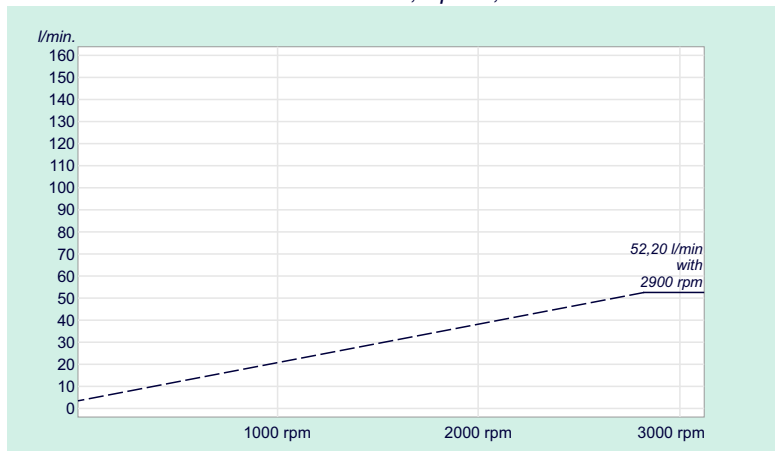


Back Cover



Flow, Speed, Pressure List of A8PS 18

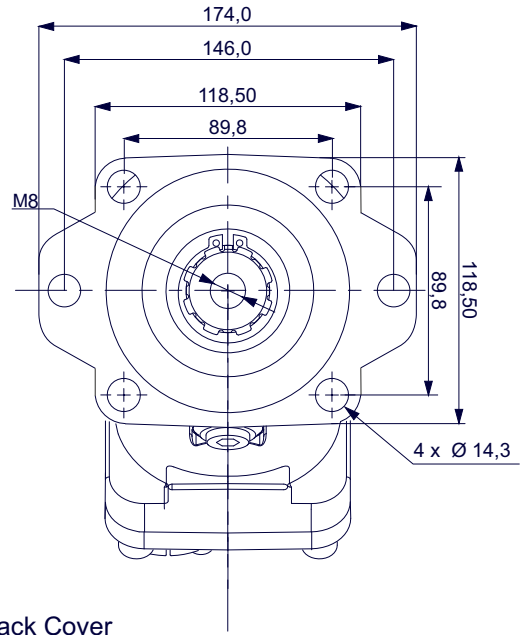
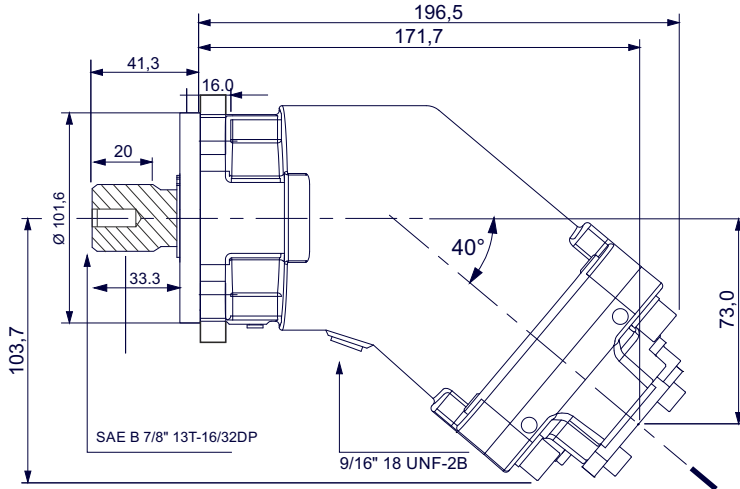
x 1000 rpm	18,00 cc
x 1500 rpm	27,00 cc
Max. Continuous Pump Speed	2300 rpm
Max. Limited Pump Speed	2900 rpm
Max. Continuous Pressure	350 bar
Max. Intermit. Peak Pressure	400 bar
Max. Torque at 350 bar	105 Nm
Weight without inlet fitting	10,00 kg
Weight with inlet fitting	10,40 kg
Rotation	CW-CCW



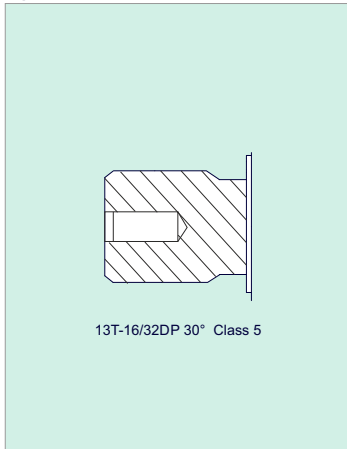
A8PS 18 - SAE B - 6 BOLT

SAE B 7/8" 13T-16/32DP

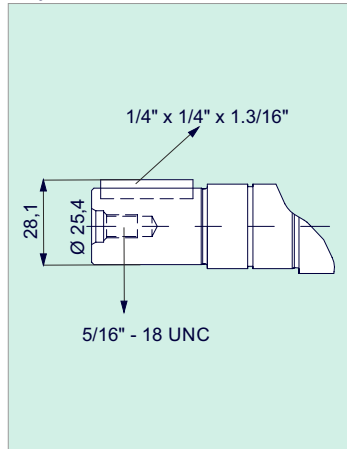
SAE B - 6 BOLT MOUNTING (SAE J744)



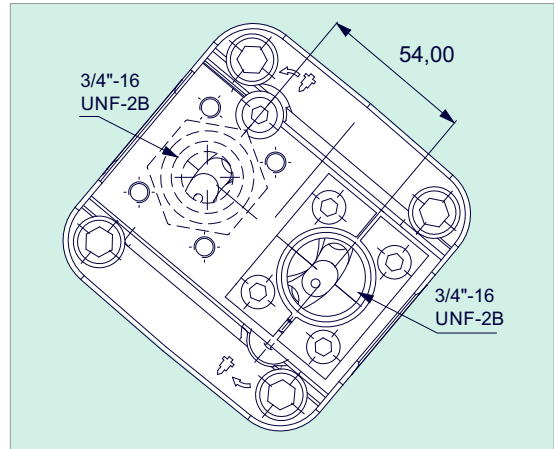
Spline Shaft



Keyed Shaft

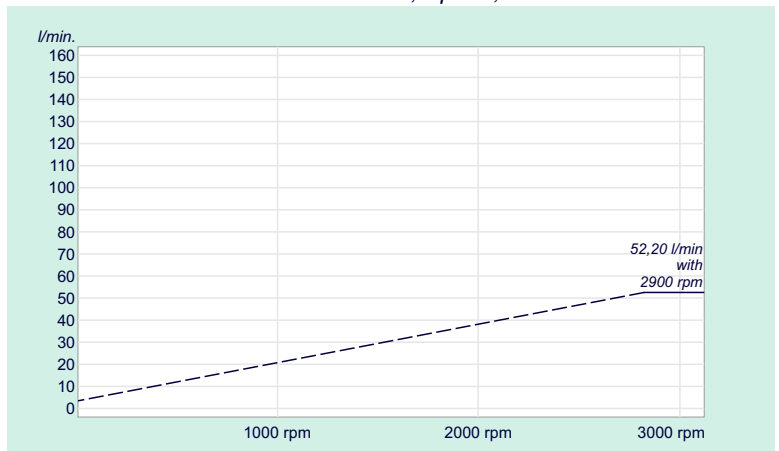


Back Cover



Flow, Speed, Pressure List of A8PS 18

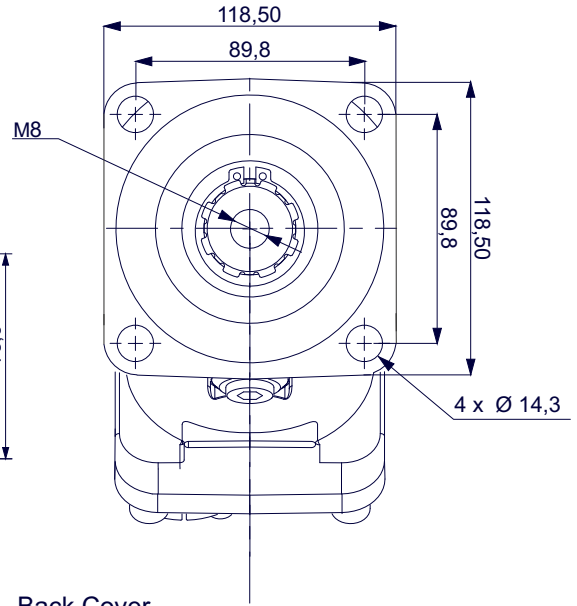
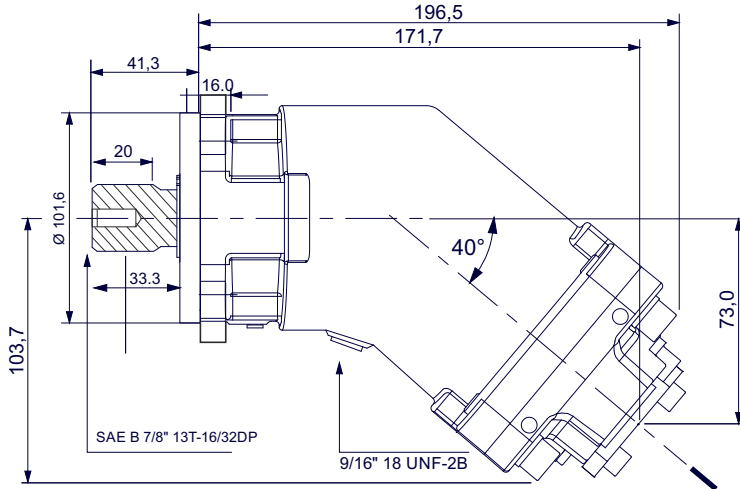
x 1000 rpm	18,00 cc
x 1500 rpm	27,00 cc
Max. Continuous Pump Speed	2300 rpm
Max. Limited Pump Speed	2900 rpm
Max. Continuous Pressure	350 bar
Max. Intermit. Peak Pressure	400 bar
Max. Torque at 350 bar	105 Nm
Weight without inlet fitting	10,00 kg
Weight with inlet fitting	10,40 kg
Rotation	CW-CCW



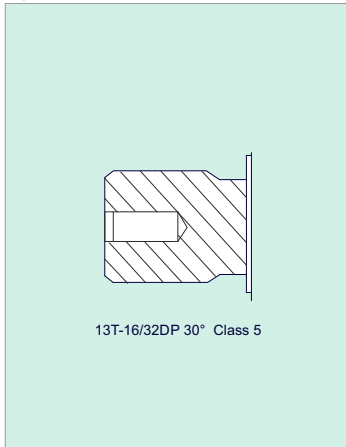
A8PS 25 - SAE C - 4 BOLT

SAE B 7/8" 13T-16/32DP

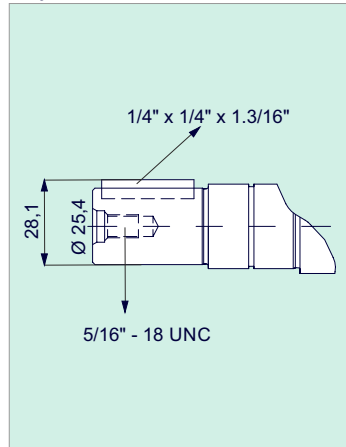
SAE C - 4 BOLT MOUNTING (SAE J744)



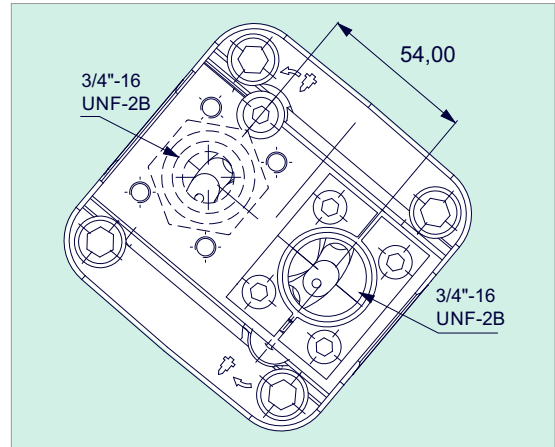
Spline Shaft



Keyed Shaft

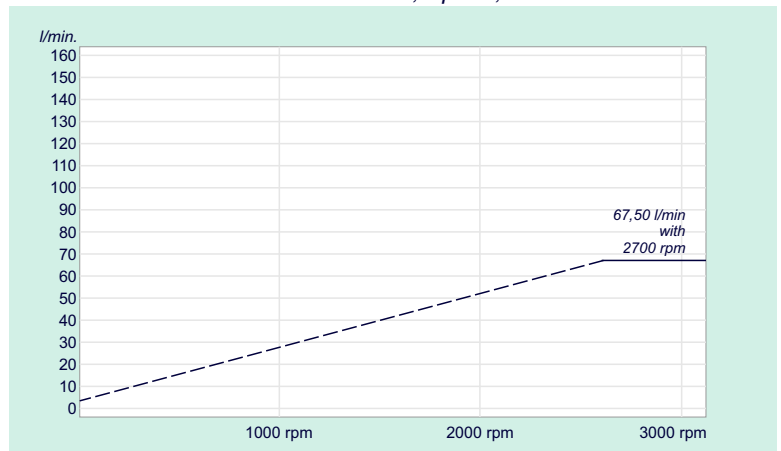


Back Cover



Flow, Speed, Pressure List of A8PS 25

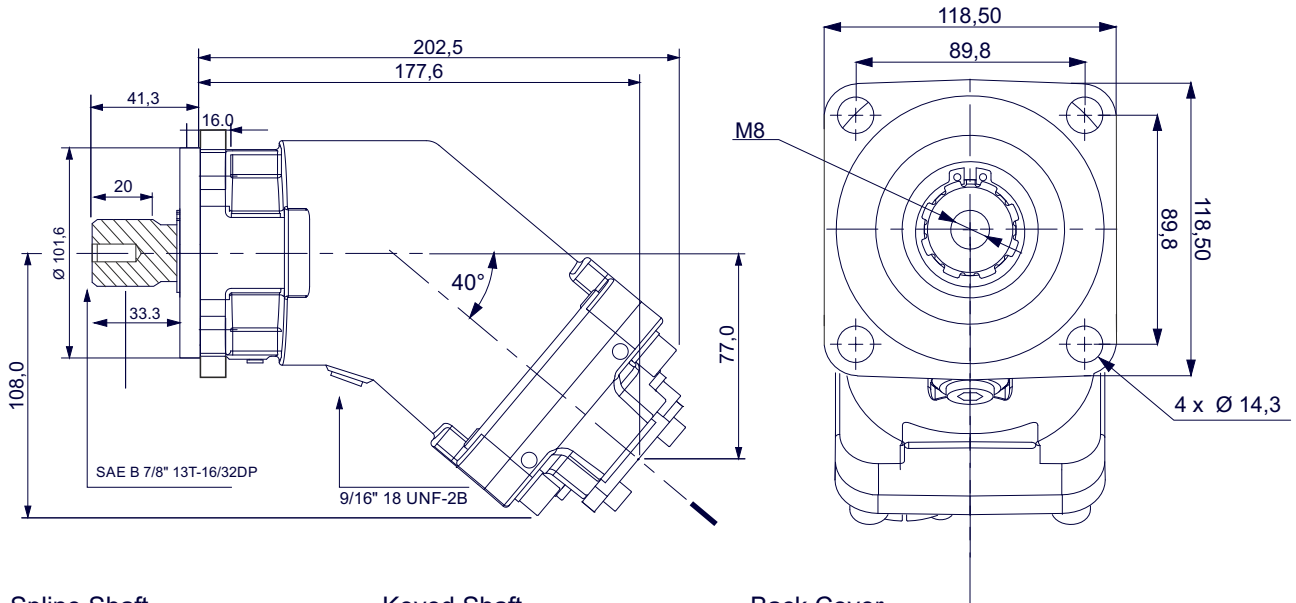
x 1000 rpm	25,00 cc
x 1500 rpm	37,50 cc
Max. Continuous Pump Speed	2300 rpm
Max. Limited Pump Speed	2700 rpm
Max. Continuous Pressure	350 bar
Max. Intermit. Peak Pressure	400 bar
Max. Torque at 350 bar	146 Nm
Weight without inlet fitting	10,50 kg
Weight with inlet fitting	10,90 kg
Rotation	CW-CCW



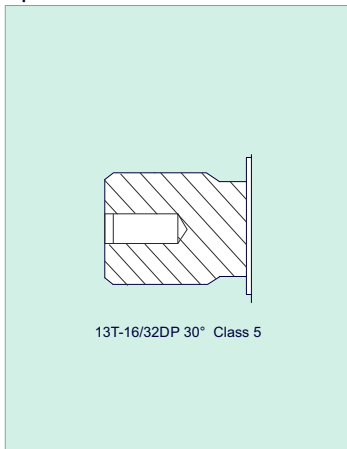
A8PS 32 - SAE C - 4 BOLT

SAE B 7/8" 13T-16/32DP

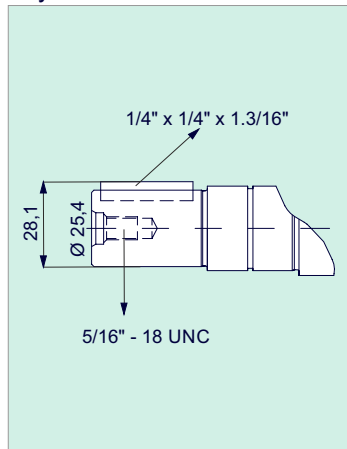
SAE C - 4 BOLT MOUNTING (SAE J744)



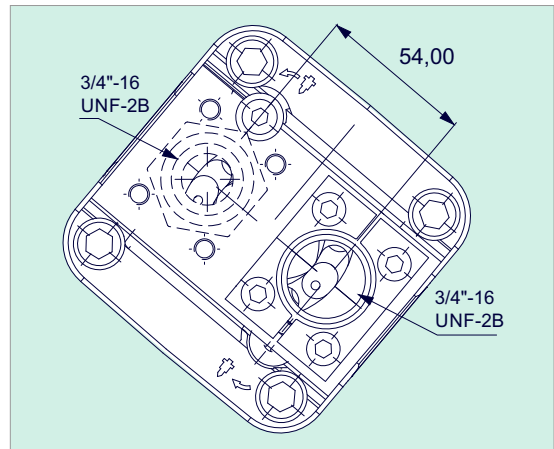
Spline Shaft



Keyed Shaft

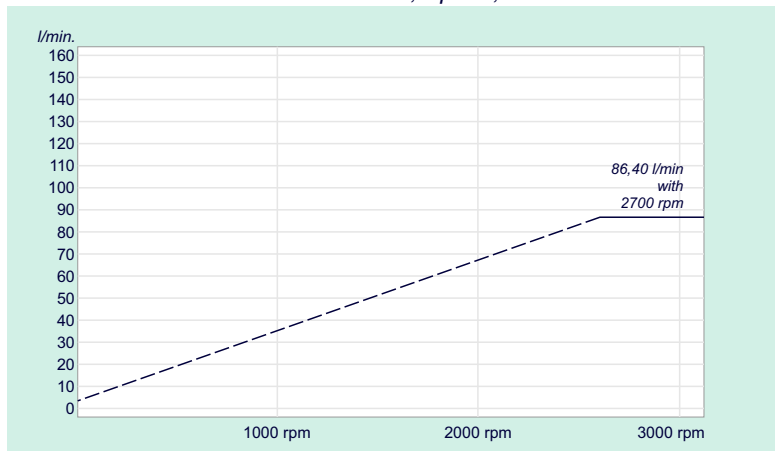


Back Cover



Flow, Speed, Pressure List of A8PS 32

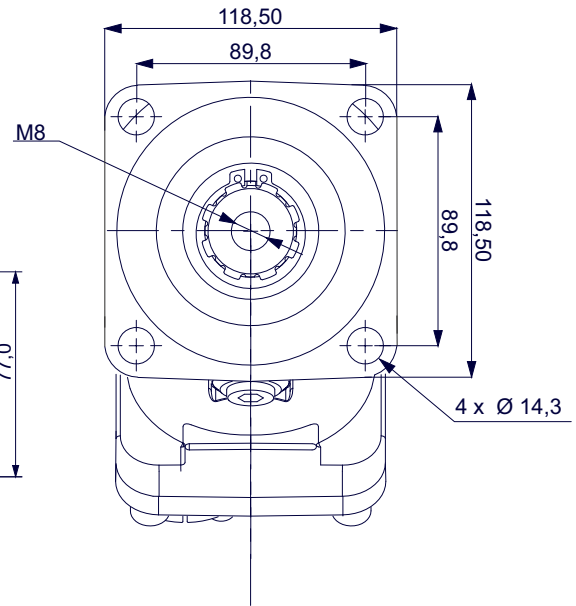
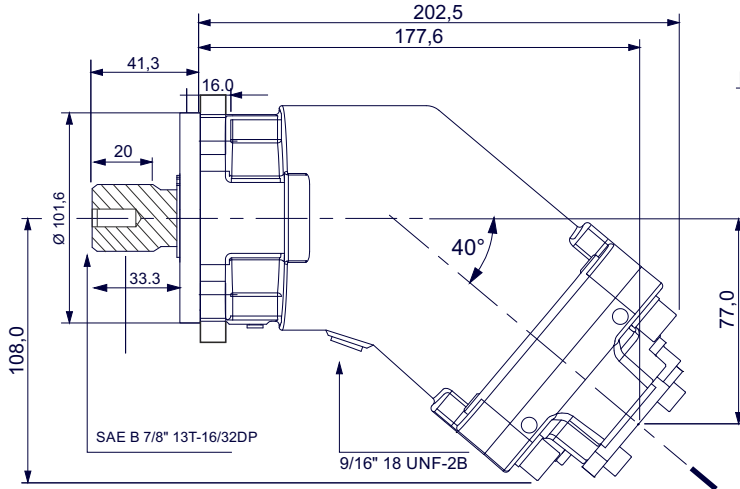
x 1000 rpm	32,00 cc
x 1500 rpm	48,00 cc
Max. Continuous Pump Speed	2250 rpm
Max. Limited Pump Speed	2700 rpm
Max. Continuous Pressure	350 bar
Max. Intermit. Peak Pressure	400 bar
Max. Torque at 350 bar	190 Nm
Weight without inlet fitting	11,50 kg
Weight with inlet fitting	11,90 kg
Rotation	CW-CCW



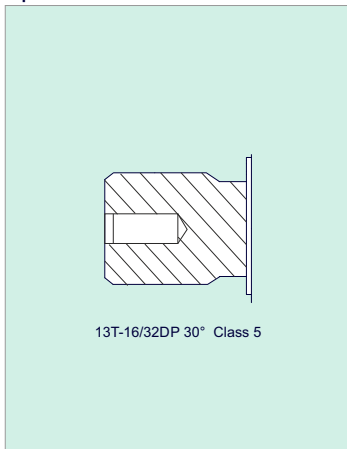
A8PS 40 - SAE C - 4 BOLT

SAE B 7/8" 13T-16/32DP

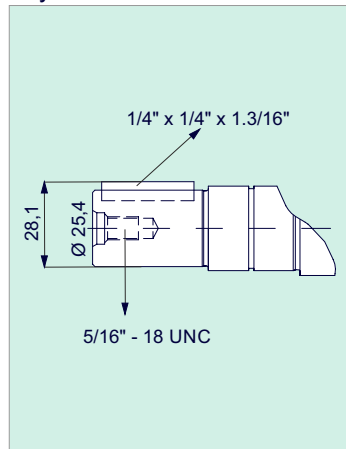
SAE C - 4 BOLT MOUNTING (SAE J744)



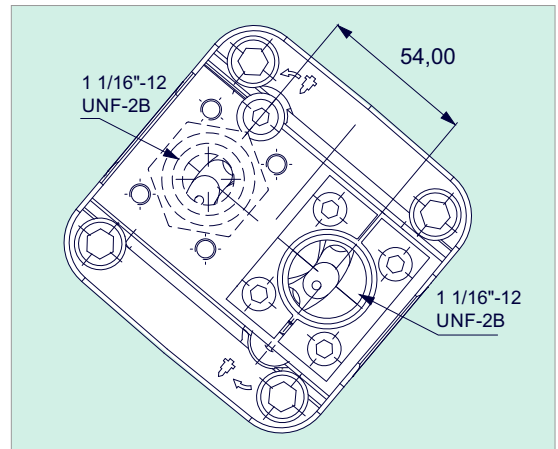
Spline Shaft



Keyed Shaft

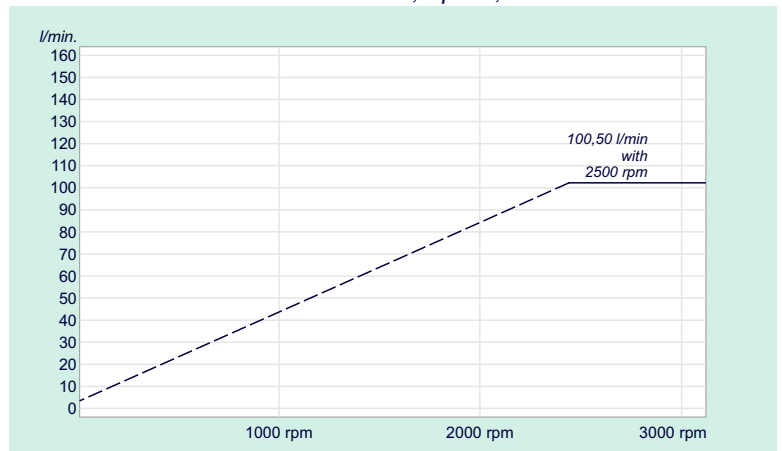


Back Cover



Flow, Speed, Pressure List of A8PS 40

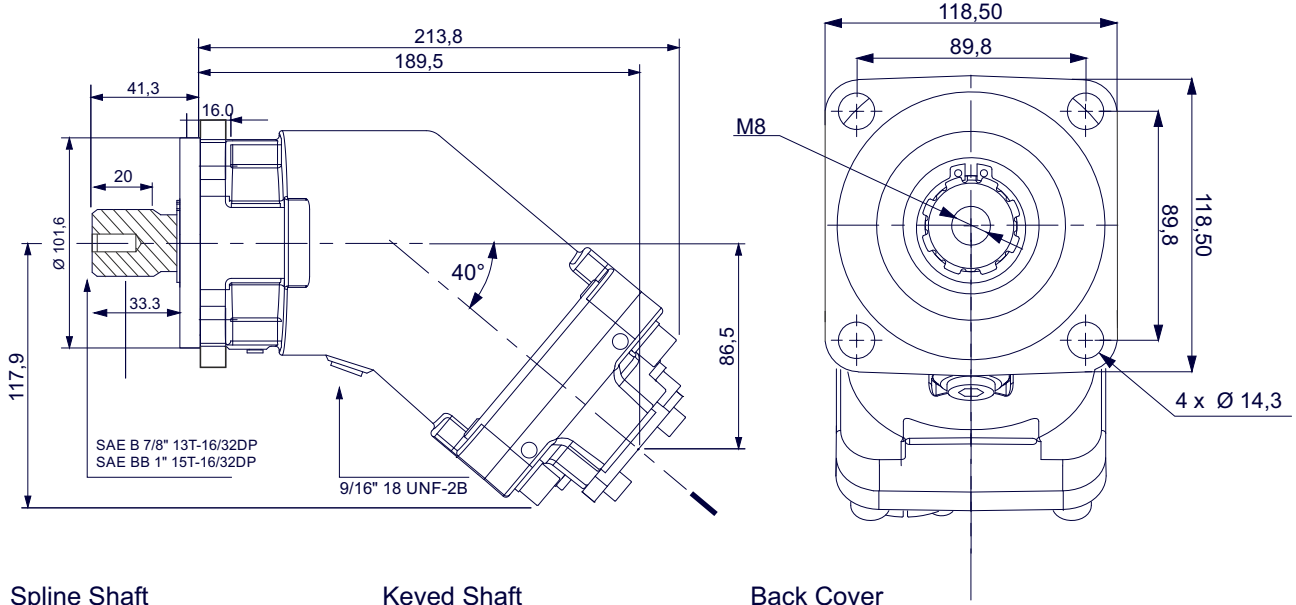
x 1000 rpm	40,20 cc
x 1500 rpm	60,30 cc
Max. Continuous Pump Speed	1900 rpm
Max. Limited Pump Speed	2500 rpm
Max. Continuous Pressure	350 bar
Max. Intermit. Peak Pressure	400 bar
Max. Torque at 350 bar	240 Nm
Weight without inlet fitting	11,50 kg
Weight with inlet fitting	11,90 kg
Rotation	CW-CCW



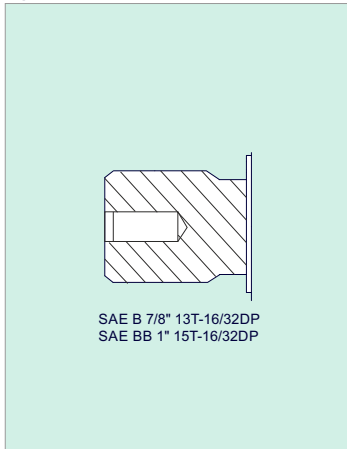
A8PS 50 - SAE C - 4 BOLT

SAE B 7/8" 13T-16/32DP
SAE BB 1" 15T-16/32DP

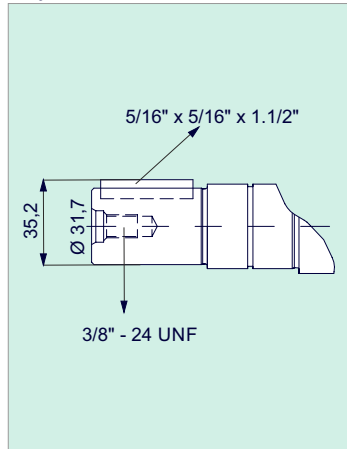
SAE C - 4 BOLT MOUNTING (SAE J744)



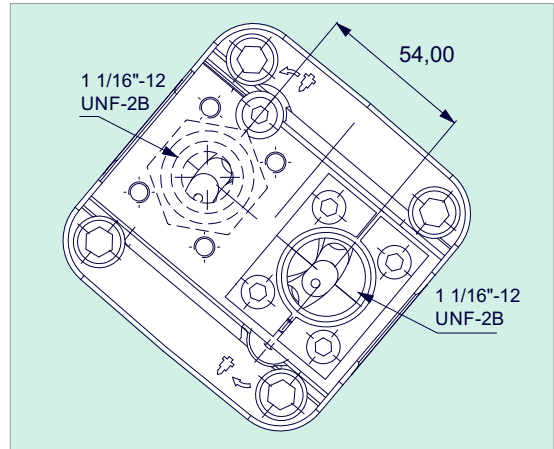
Spline Shaft



Keyed Shaft

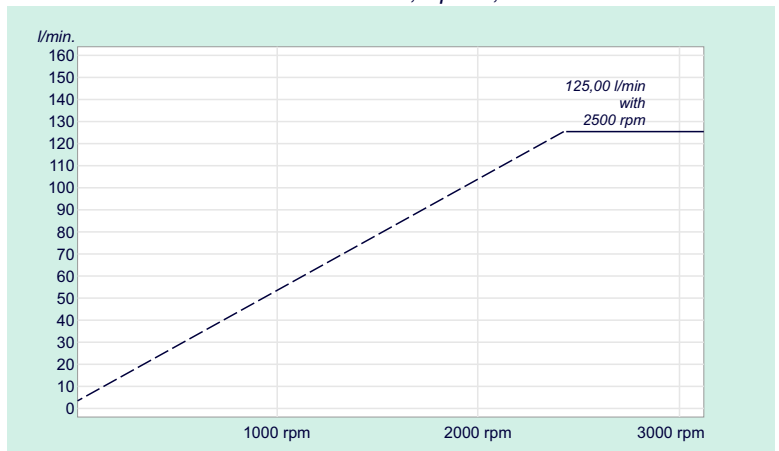


Back Cover



Flow, Speed, Pressure List of A8PS 50

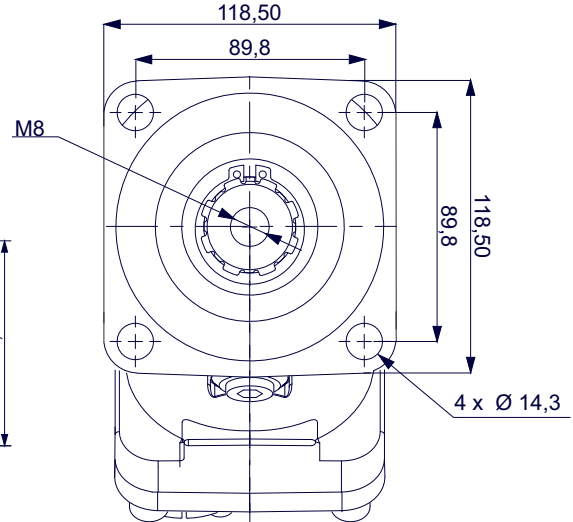
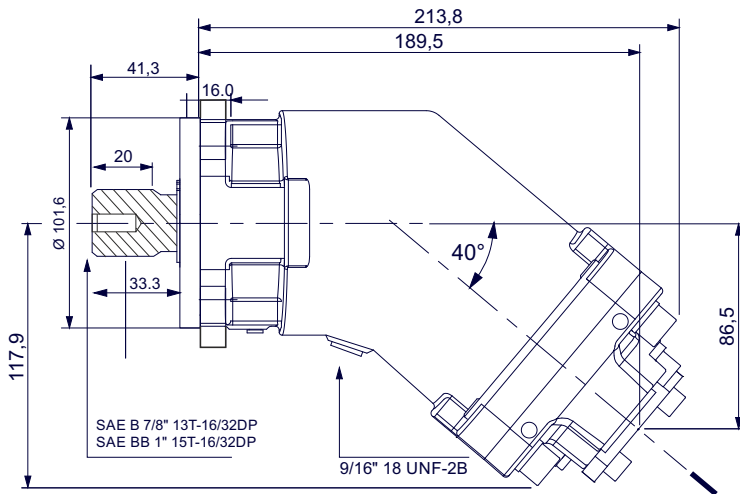
x 1000 rpm	50,00 cc
x 1500 rpm	75,00 cc
Max. Continuous Pump Speed	1900 rpm
Max. Limited Pump Speed	2500 rpm
Max. Continuous Pressure	350 bar
Max. Intermit. Peak Pressure	400 bar
Max. Torque at 350 bar	292 Nm
Weight without inlet fitting	12,00 kg
Weight with inlet fitting	12,40 kg
Rotation	CW-CCW



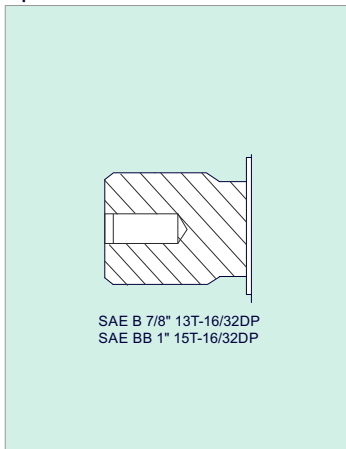
A8PS 56 - SAE C - 4 BOLT

SAE B 7/8" 13T-16/32DP
SAE BB 1" 15T-16/32DP

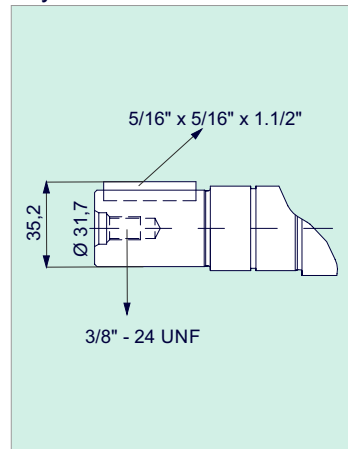
SAE C - 4 BOLT MOUNTING (SAE J744)



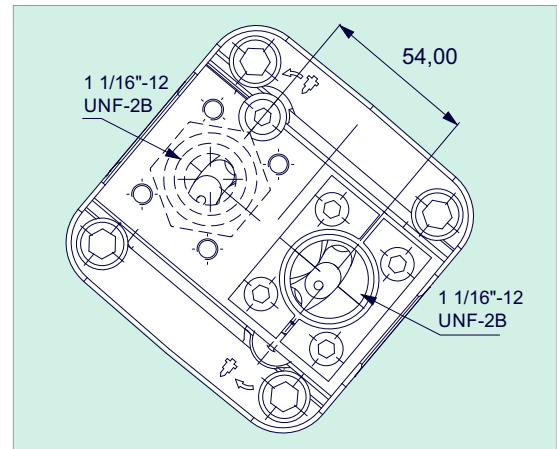
Spline Shaft



Keyed Shaft

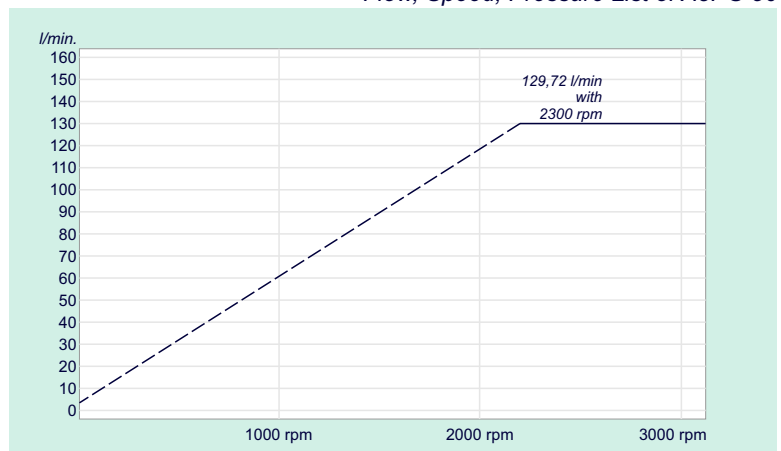


Back Cover



Flow, Speed, Pressure List of A8PS 56

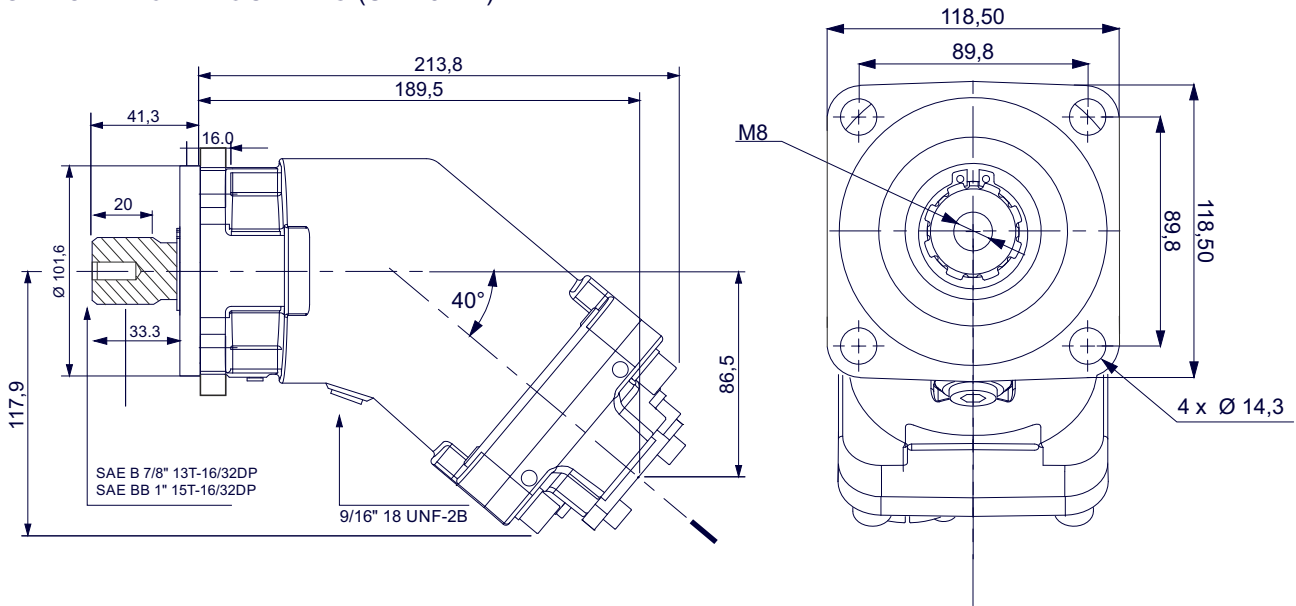
x 1000 rpm	56,40 cc
x 1500 rpm	84,60 cc
Max. Continuous Pump Speed	1900 rpm
Max. Limited Pump Speed	2300 rpm
Max. Continuous Pressure	350 bar
Max. Intermit. Peak Pressure	400 bar
Max. Torque at 350 bar	330 Nm
Weight without inlet fitting	12,50 kg
Weight with inlet fitting	12,90 kg
Rotation	CW-CCW



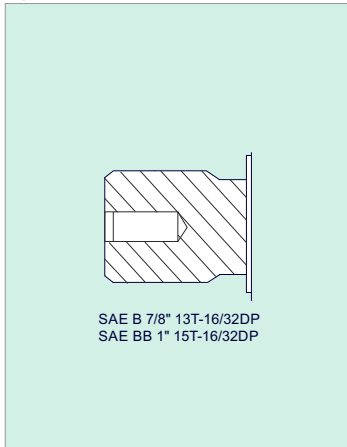
A8PS 63 - SAE C - 4 BOLT

SAE B 7/8" 13T-16/32DP
SAE BB 1" 15T-16/32DP

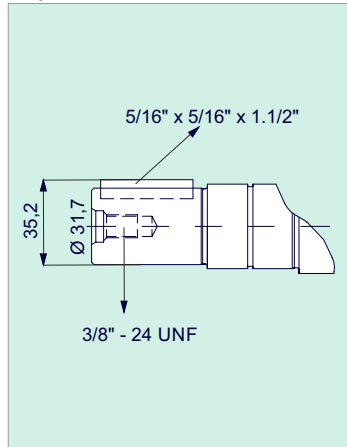
SAE C - 4 BOLT MOUNTING (SAE J744)



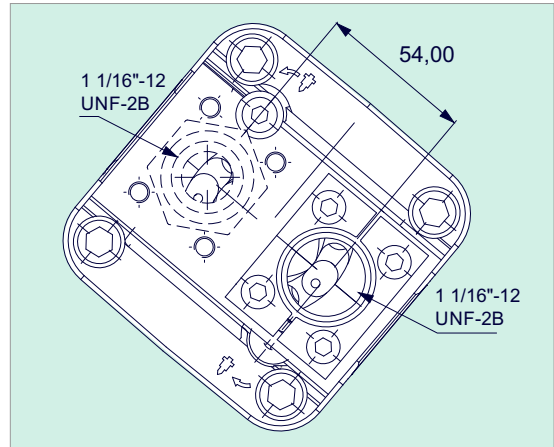
Spline Shaft



Keyed Shaft

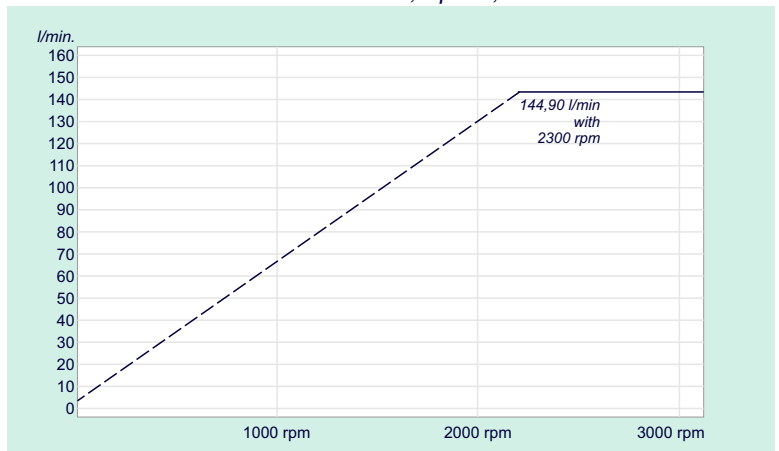


Back Cover



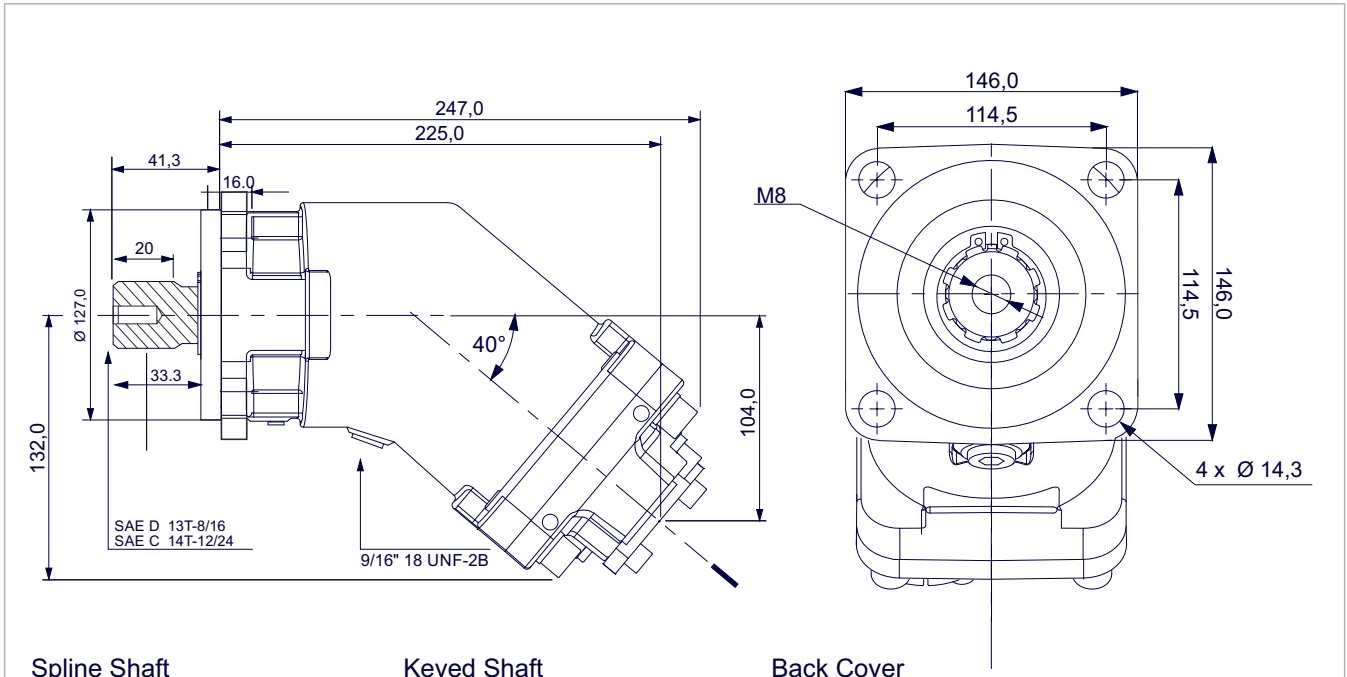
Flow, Speed, Pressure List of A8PS 63

x 1000 rpm	63,00 cc
x 1500 rpm	94,50 cc
Max. Continuous Pump Speed	1900 rpm
Max. Limited Pump Speed	2300 rpm
Max. Continuous Pressure	350 bar
Max. Intermit. Peak Pressure	400 bar
Max. Torque at 350 bar	360 Nm
Weight without inlet fitting	12,50 kg
Weight with inlet fitting	12,90 kg
Rotation	CW-CCW

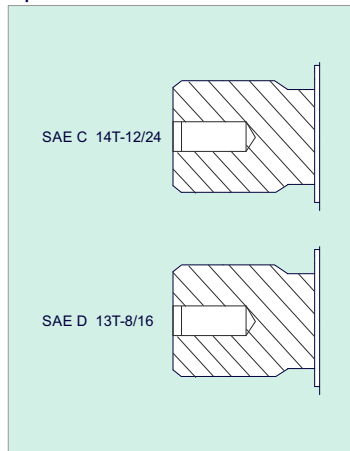


A8PS 80 - SAE C - 4 BOLT

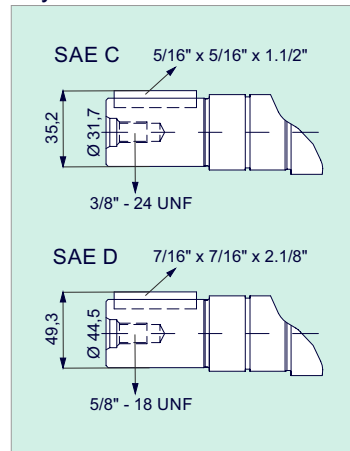
SAE D 13T-8/16
SAE C 14T-12/24



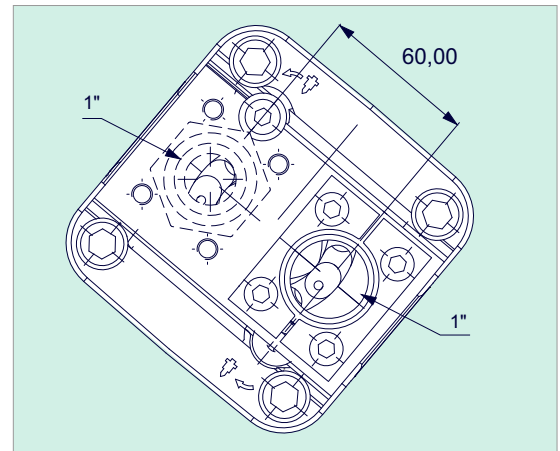
Spline Shaft



Keyed Shaft

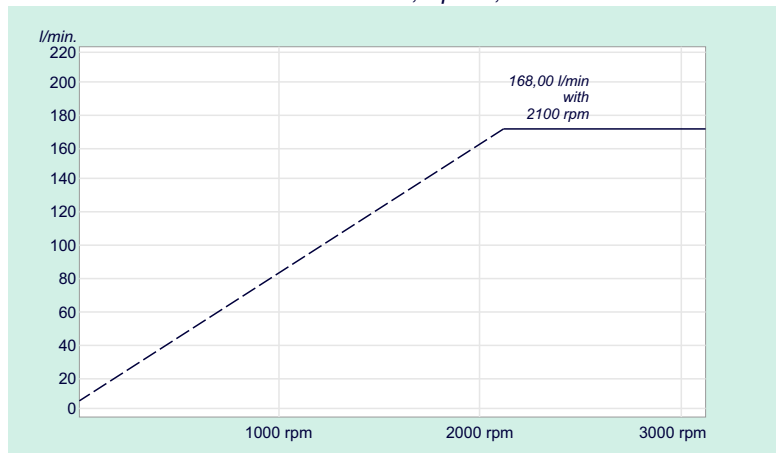


Back Cover



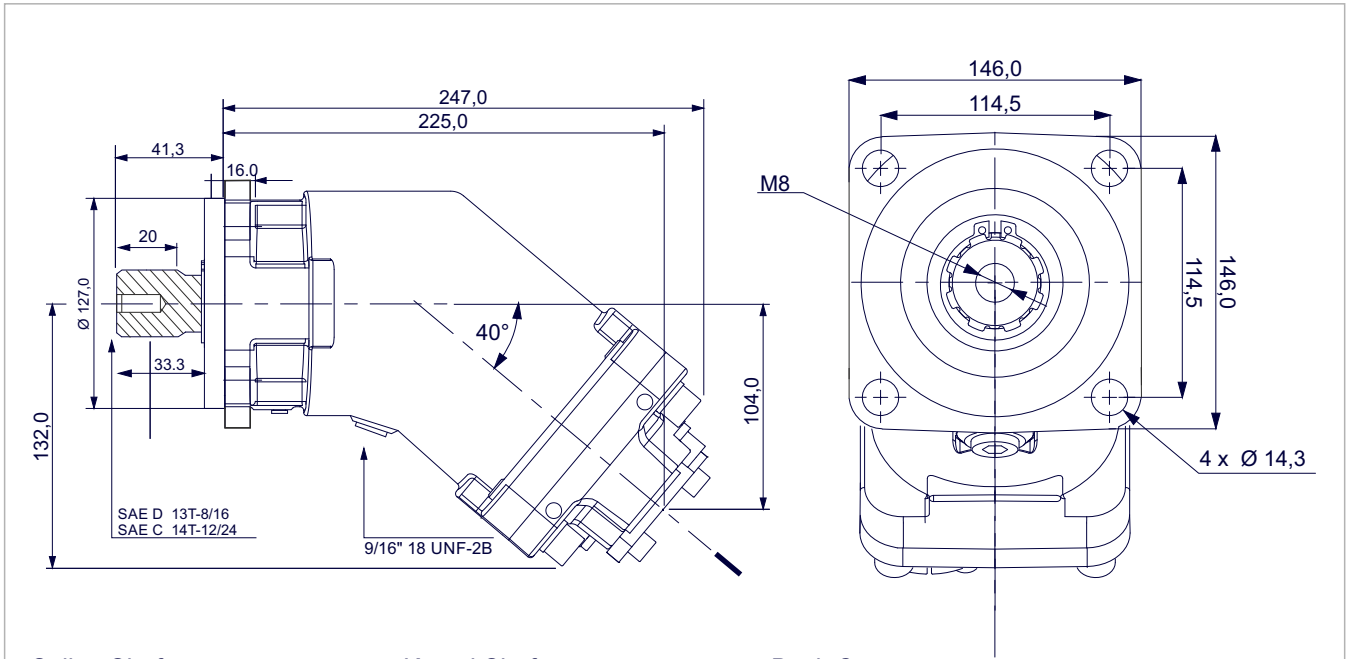
Flow, Speed, Pressure List of A8PS 80

x 1000 rpm	80,00 cc
x 1500 rpm	120,00 cc
Max. Continuous Pump Speed	1700 rpm
Max. Limited Pump Speed	2100 rpm
Max. Continuous Pressure	350 bar
Max. Intermit. Peak Pressure	400 bar
Max. Torque at 350 bar	460 Nm
Weight without inlet fitting	16,00 kg
Weight with inlet fitting	16,40 kg
Rotation	CW-CCW

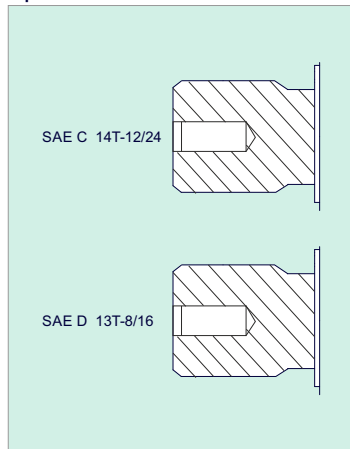


A8PS 108 - SAE C - 4 BOLT

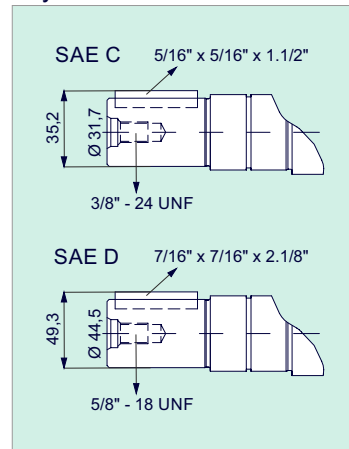
SAE D 13T-8/16
SAE C 14T-12/24



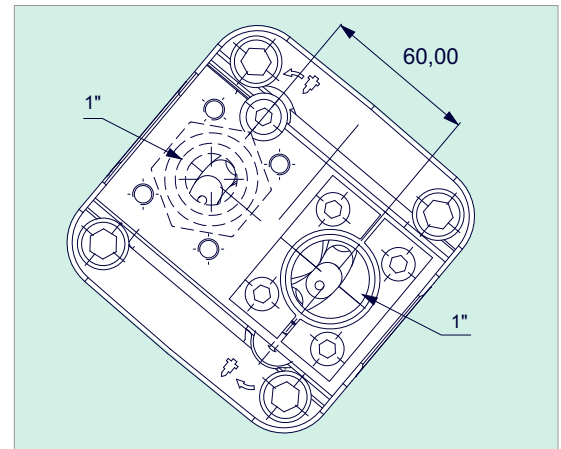
Spline Shaft



Keyed Shaft

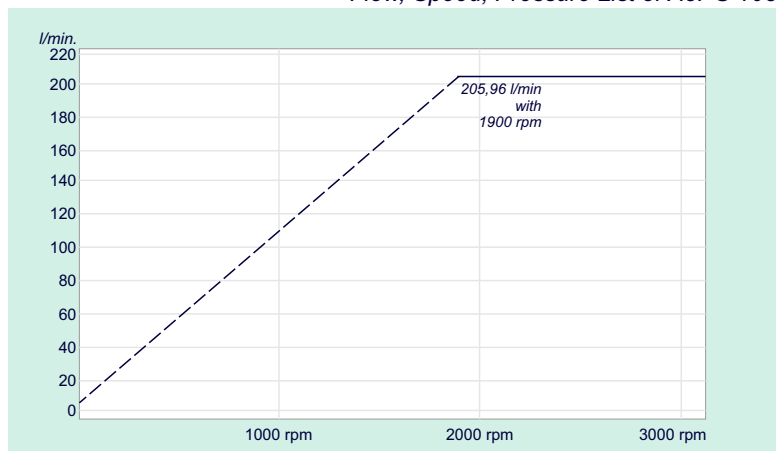


Back Cover



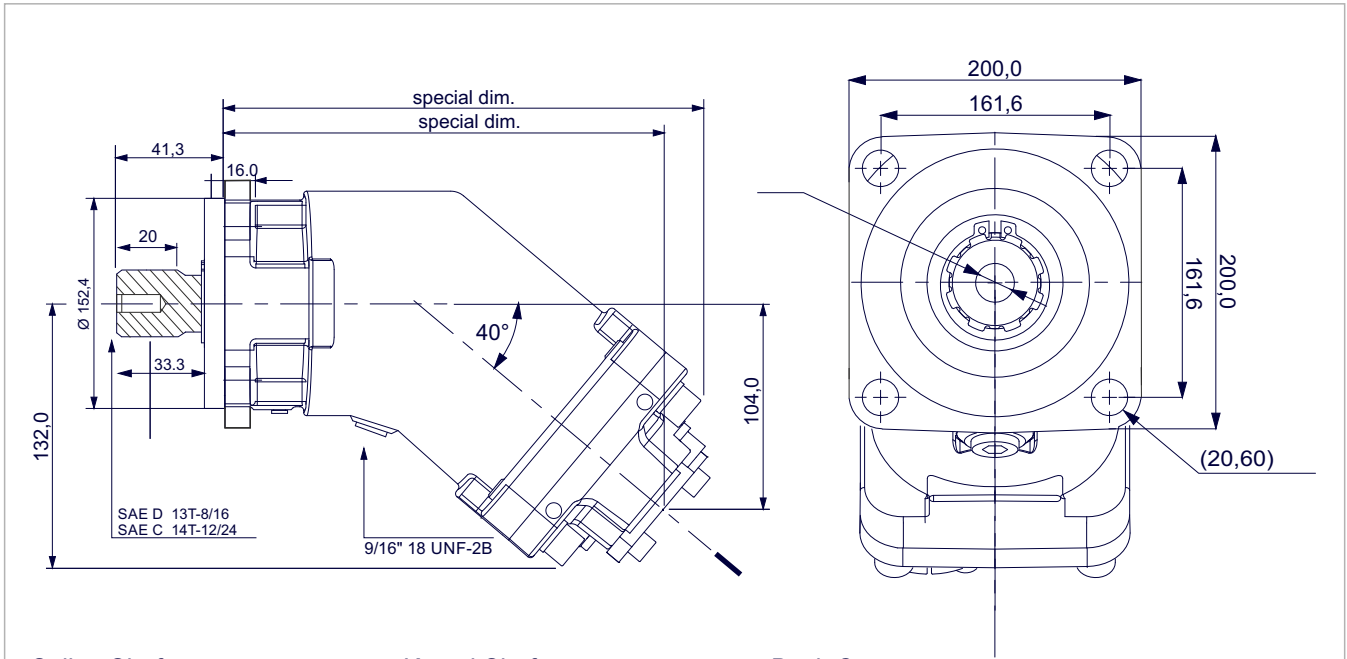
Flow, Speed, Pressure List of A8PS 108

x 1000 rpm	108,40 cc
x 1500 rpm	162,60 cc
Max. Continuous Pump Speed	1700 rpm
Max. Limited Pump Speed	1900 rpm
Max. Continuous Pressure	350 bar
Max. Intermit. Peak Pressure	400 bar
Max. Torque at 350 bar	620 Nm
Weight without inlet fitting	16,50 kg
Weight with inlet fitting	16,90 kg
Rotation	CW-CCW

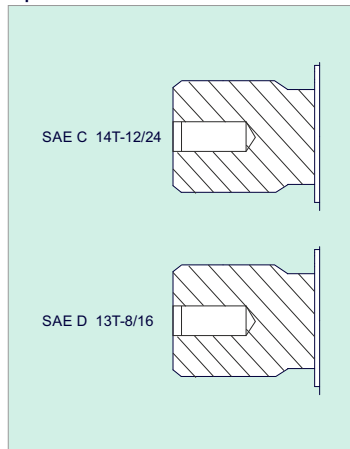


A8PS 108 - SAE D - 4 BOLT

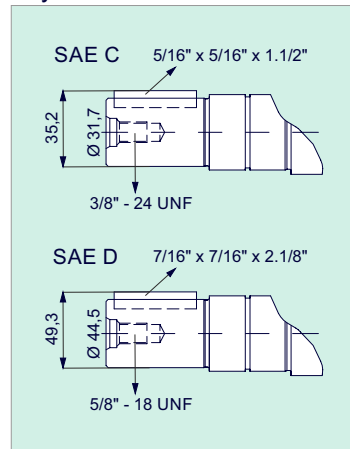
SAE D 13T-8/16
SAE C 14T-12/24



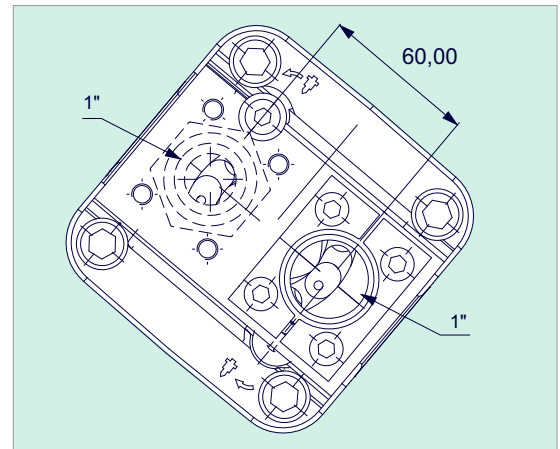
Spline Shaft



Keyed Shaft

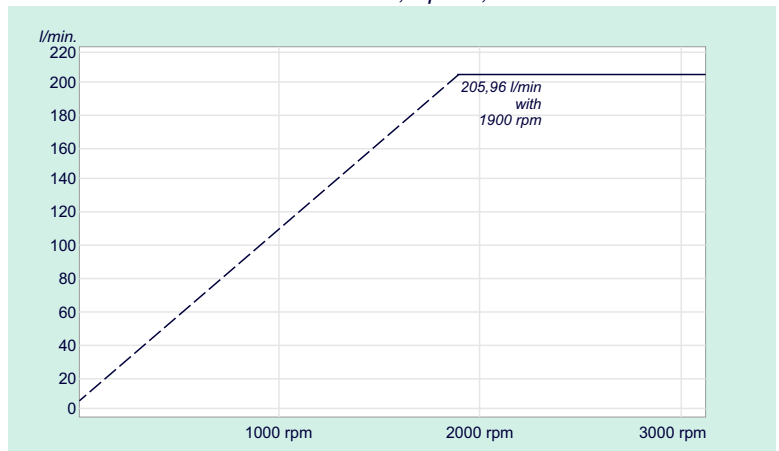


Back Cover



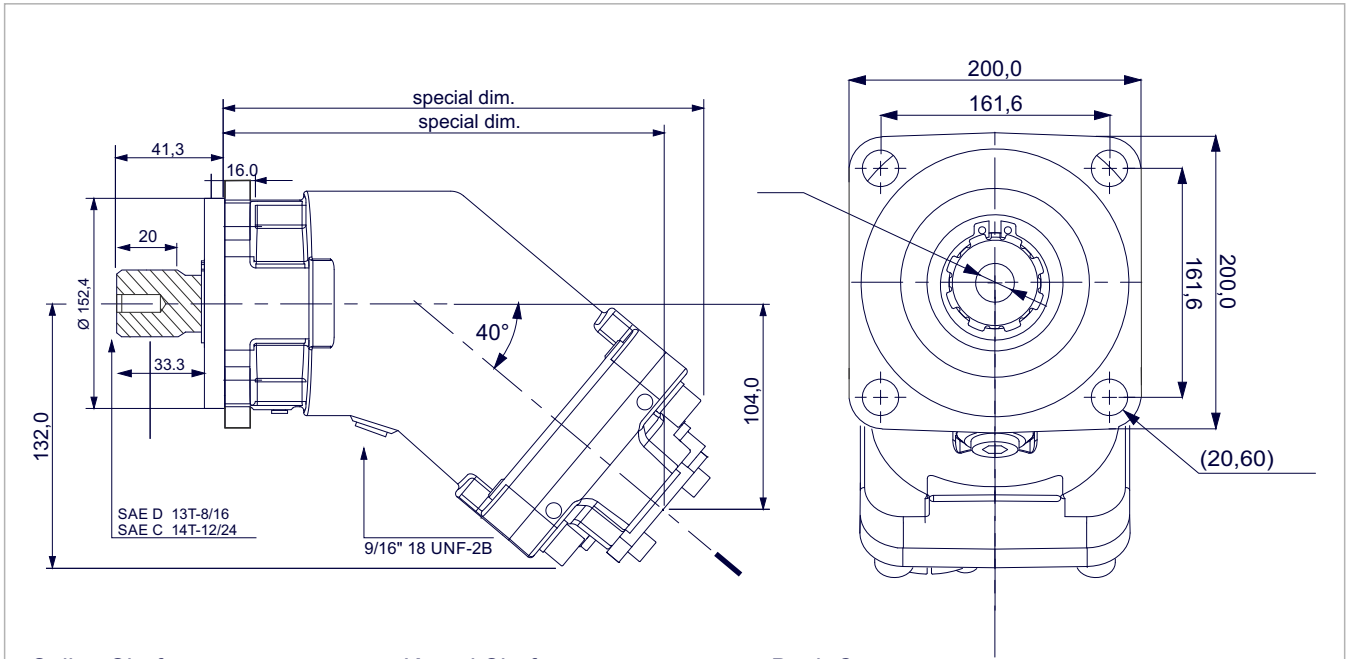
Flow, Speed, Pressure List of A8PS 108

x 1000 rpm	108,40 cc
x 1500 rpm	162,60 cc
Max. Continuous Pump Speed	1700 rpm
Max. Limited Pump Speed	1900 rpm
Max. Continuous Pressure	350 bar
Max. Intermit. Peak Pressure	400 bar
Max. Torque at 350 bar	620 Nm
Weight without inlet fitting	16,50 kg
Weight with inlet fitting	16,90 kg
Rotation	CW-CCW

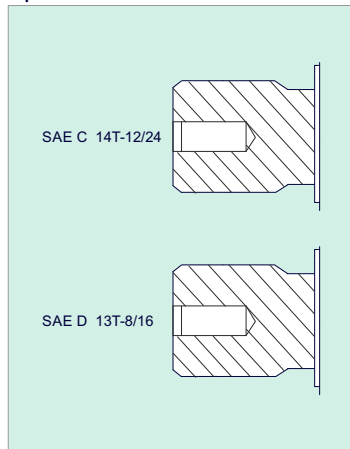


A8PS 130 - SAE D - 4 BOLT

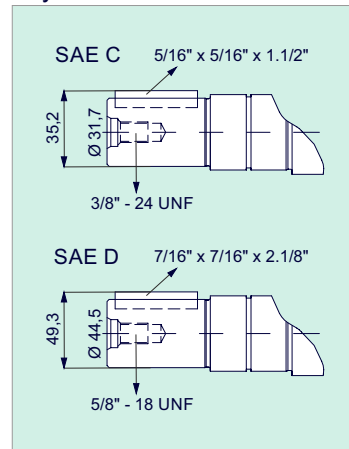
SAE D 13T-8/16
SAE C 14T-12/24



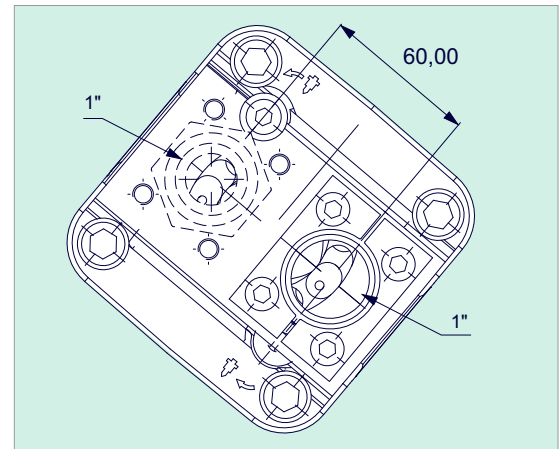
Spline Shaft



Keyed Shaft

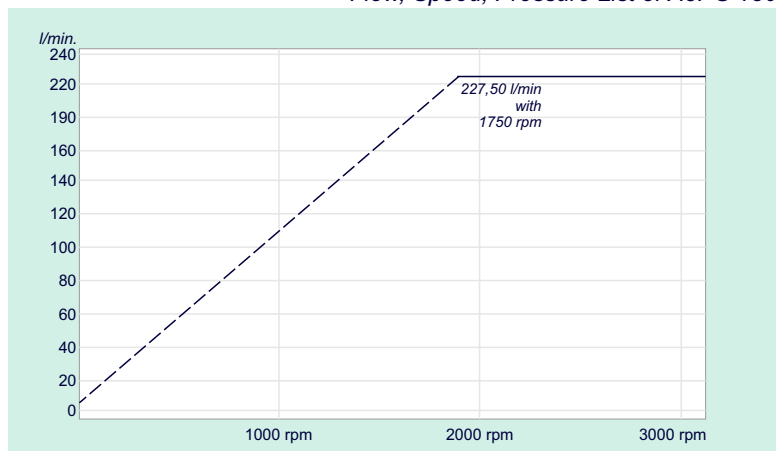


Back Cover



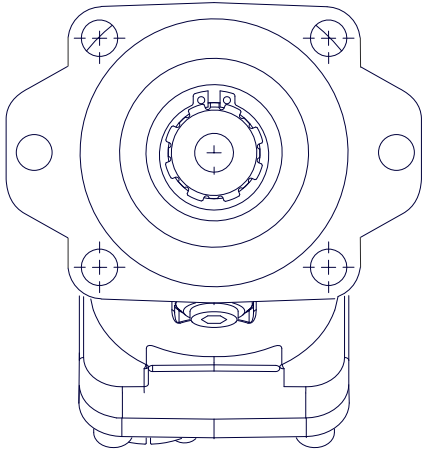
Flow, Speed, Pressure List of A8PS 130

x 1000 rpm	130,00 cc
x 1500 rpm	195,00 cc
Max. Continuous Pump Speed	1600 rpm
Max. Limited Pump Speed	1750 rpm
Max. Continuous Pressure	350 bar
Max. Intermit. Peak Pressure	400 bar
Max. Torque at 350 bar	746 Nm
Weight without inlet fitting	21,50 kg
Weight with inlet fitting	22,00 kg
Rotation	CW-CCW

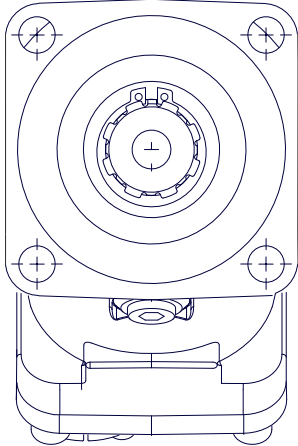


Special Mounting Flanges

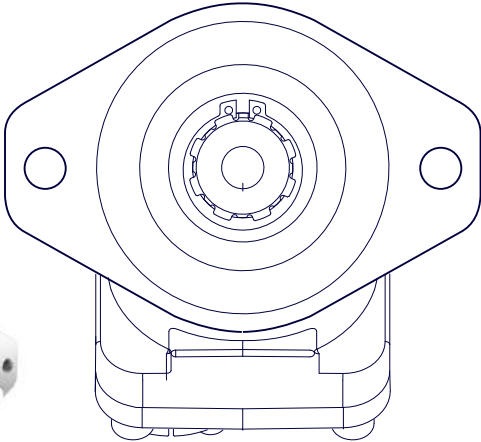
6 BOLT
Mounting Flange



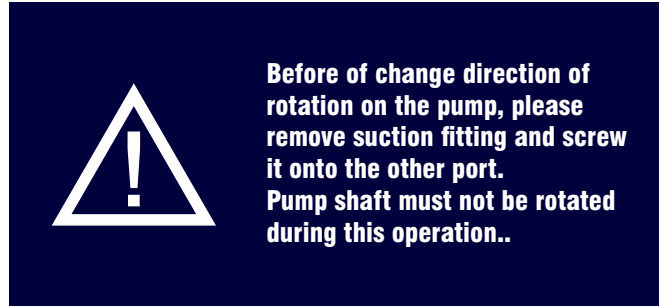
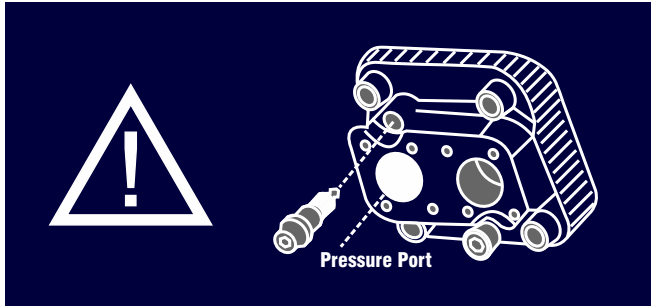
SAE B4 BOLT
(SAE J744)



SAE B2 BOLT
(SAE J744)



Changing the Direction of Rotation

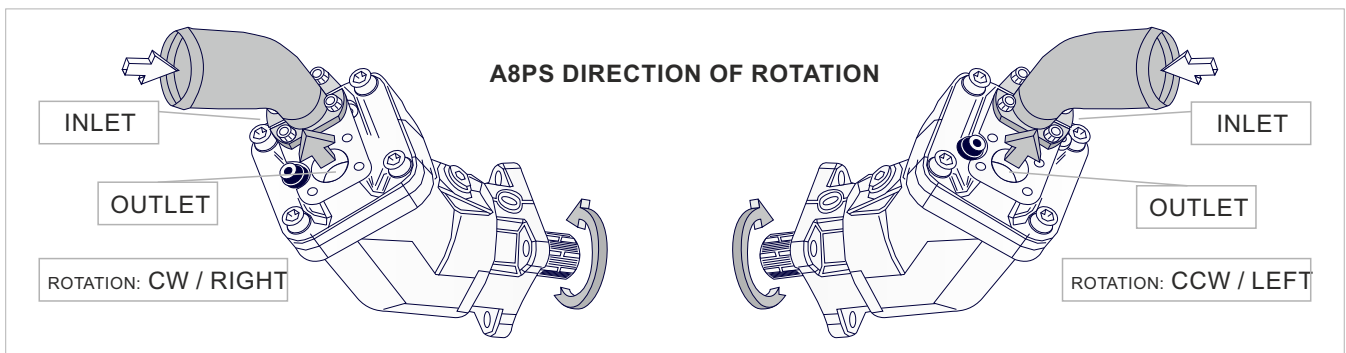
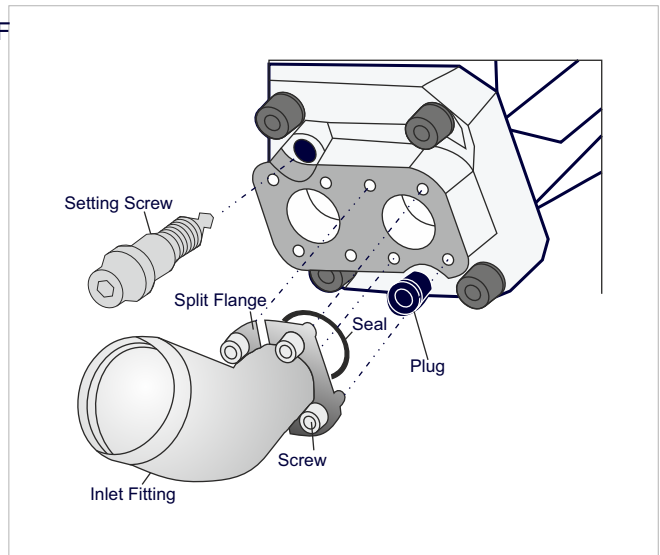


!! CHECK THE ROTATION FROM THE POWER TAKE OFF
!! THE ROTATION DIRECTION OF THE PUMP

Left Default delivered. Right Change rotation.

HOW TO CHANGE ROTATION OF THE A8PS PUMP;

- Remove the inlet fitting with split flange,
- Remove the setting screw,
- Remove the plug,
- Put the setting screw where the plug was,
- Put the plug where the setting screw was,
- Put seal on the inlet fitting, then the inlet fitting on the side where the plug is, and fix with the split flange, Tighten with the screws.



NOTE I
The Inlet Fitting is pre-assembled on delivery and must be tightened to the torque specified for the thread size before installation.

NOTE II
To change the direction of rotation of the A8PS Bent Axis Pump, you must change the pressure connection from to right port to the left port.

NOTE III
If the pump drive shaft moves while making the change, the A8PS Bent Axis Pump may be damaged. After unscrewing the pressure connection, do not turn the drive shaft of the pump!

FLUID

Please check the following recommendations:
Mineral oil

Viscosity	20 to 40 cSt
Min. viscosity	5 cSt
Viscosity for correct operation	10 to 400 cSt
Recommended filtration	10µ absolute class 9 NAS 1638 class 6 SAE class 18/15 ISO
Max temp.	100° C



Installation & User Guide

The A8PS pumps fitted with a rubber front seal.

INSTALLATION

A8PS pumps are direct mounting on the PTO.
Grease the splined shaft before installation. Do not tap the gear wheel/driver into position.

Remove any mounted screws on the pump.
The A8PS was delivered with protective covers and plastic/threaded plugs.
It should be removed before of install. Please check seals and surfaces. If sealing or other surfaces damaged please contact your responsible Service Partner.

Start up and run the pump at medium speed (800 to 1000 rpm at the PTO) until the oil flowing out of the pump. (There are no more air bubbles.)

OIL SUPPLY

Oil and supply line should be clean, and the supply line is airtight.

SUCTION LINE

Connect the suction line, tighten the suction connection bolts in diametric pairs.
Connect the pressure line.

REPAIR

We offers a comprehensive range of services for the repair of our Bent Axis Pumps.
Repairs to the A8PS Bent Axis Pump may only be performed by authorized, skilled and instructed personnel.
Only use original and pre-installed our A8PS spare parts from supplied to Manufacturer..

Tested and pre-installed A8PS pumps successful repair requiring only little time.

SPARE PARTS

The spare parts list and the A8PS pump order specific.
When ordering spare parts, quote the material and complete Ordering code number of the A8PS Bent Axis Pump as well as the right numbers of the spare parts.

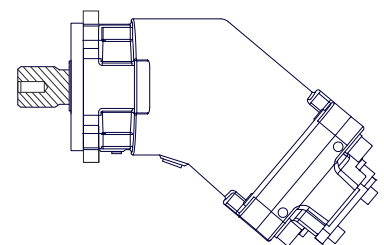
RISK OF DAMAGE!

Do not touch the drive shaft of the A8PS Bent Axis Pump
Do not touch sensor, valves and fittings
Do not touch sealing surfaces.

DIMENSIONS & WEIGHTS

Weight													
- Without inlet fitting	kg	8,00	10,00	10,00	10,50	11,50	11,50	12,00	12,50	12,50	16,00	16,50	21,50
- With inlet fitting	kg	8,45	10,40	10,40	10,90	11,90	11,90	12,40	12,90	12,90	16,40	16,90	22,00

Address all questions regarding spare parts to your responsible Our Service Partner or the technical service department of the manufacture's plant / factory for the A8PS Bent Axis Pumps.



Complete Product Range

Piston Pumps

Piston Motors

DIN

DIN 5462 / ISO 14
8x32x35
8x32x36
DIN 6885



A8PD



A9MD

ISO

ISO 3019-2 (4 BOLTS)
DIN 5480 -W25,30,35,40,45
DIN 6885 -Ø20,25,30,35,40,45



A8PO



A9MO

SAE

SAE B2 C4 - SAE D
SAE J498b
SAE J 744



A8PS



A9MS

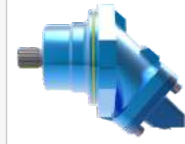
M2

Fixed Plug-in

DIN 5480 / ISO 3019-2
W30 - W35 - W40
M21 - M22 - M23



A8PL - Dual Flow



A9MF - Semi integrated

A4

DIN ISO 14
8x32x36



A4PP Single Flow



A4PL Dual Flow

A6

P2 Connection M8x125
Woodruff key 3x6,5 NF E
27-653 NF R 124-04
(2 BOLTS)



A6HP - High Pressure



**A7GP - Gear Pump
A7GM - Gear Motor**

Contact



Gold Hydraulics, Ltd.

2019® Catalogue

All pictures and banners are patented by owner.

www.goldhydraulics.com

For more details and other catalogs,
please send email to our team.

Hydraulic Bent Axis Piston Pumps
Bent Axis Motors
Dual Flow Piston Pumps and Gear Pumps...

Sales Team

info@goldhydraulics.com

Order

order@goldhydraulics.com

Management

mail@goldhydraulics.com



www.goldhydraulics.com