

# Hydraulic Valve

Air Control Valve, Limit Control Valve  
Monoblock Valve, Sectional Valve



# Contents

Hydraulic Directional Valve	3
Hydraulic Distributor Valve	4
Hydraulic Limit Control Valve	5
Trailer Valve	6

## Monoblock Valve -7-

### 40 Lt. Monoblock Valve

40 Lt. 1P

### 45 Lt. Monoblock Valve

45 Lt. 1P

45 Lt. 2P

45 Lt. 3P

45 Lt. 4P

45 Lt. 5P

45 Lt. 6P

### 80 Lt. Monoblock Valve

80 Lt. 1P

80 Lt. 2P

80 Lt. 3P

80 Lt. 4P

80 Lt. 5P

80 Lt. 6P

## Sectional Valve -21-

### 80 Lt. Sectional Valve

80 Lt. 1P

80 Lt. 2P

80 Lt. 3P

80 Lt. 4P

80 Lt. 5P

80 Lt. 6P

80 Lt. 7P

80 Lt. 8P

### 150 Lt. Sectional Valve

150 Lt. 1P

150 Lt. 2P

150 Lt. 3P

150 Lt. 4P

150 Lt. 5P

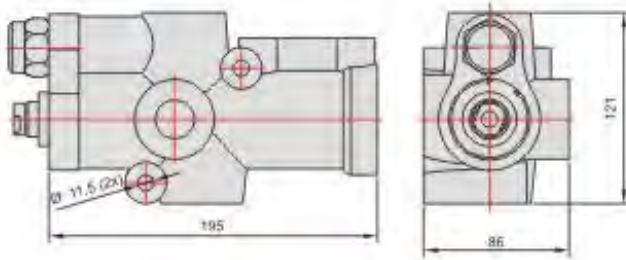
150 Lt. 6P

150 Lt. 7P

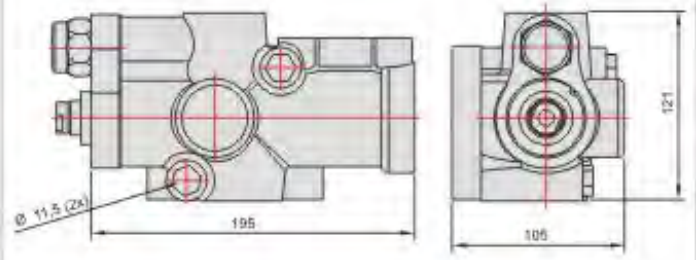
150 Lt. 8P

# Hydraulic Directional Valve

36001010 / 36001011  
36001012



36001020 / 36001021  
36001022

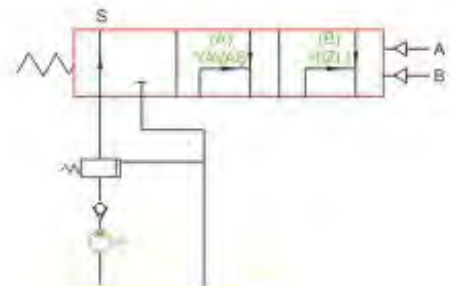
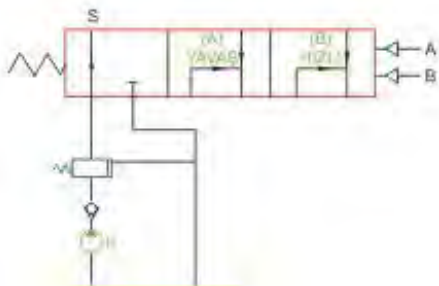
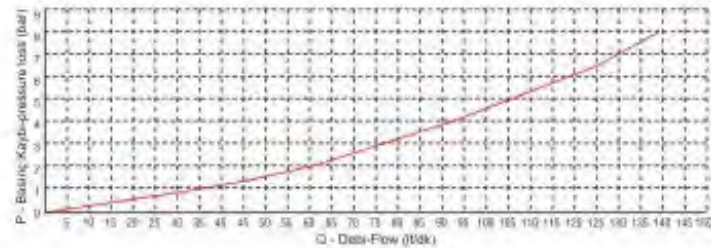
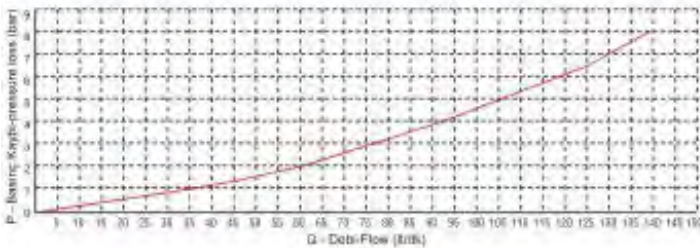


## GENEL BİLGİLER/GENERAL DATA

VENTİL KODU VALVE CODE	3/4"Rakorlu 3/4"Fitting 36001010	1"Düz Rakorlu 1"Straight Fitting 36001011	1"Ters Rakorlu 1"Reverse Fitting 36001012
Debi Hızı / Flow Rate	110 lt/dk	140 lt/dk	140 lt/dk
Max. Basınç / Max. Press.	190 bar	190 bar	190 bar
Çal. Basıncı / Working Press.	170 bar	170 bar	170 bar
Ağırlık / Weight(kg)	6 kg	6 kg	6 kg
Max. Pnömatik Basınç Max. Pneumatic Press.	12 bar	12 bar	12 bar
Akışkan / Fluid	Mineral bazlı hidrolik yağ / Mineral based hydraulic oil		

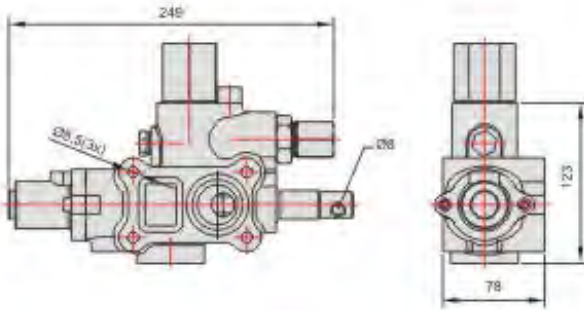
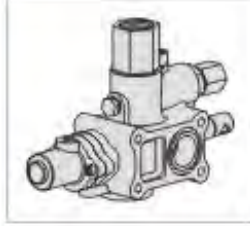
## GENEL BİLGİLER/GENERAL DATA

VENTİL KODU VALVE CODE	3/4"Rakorlu 3/4"Fitting 36001020	1"Düz Rakorlu 1"Straight Fitting 36001021	1"Ters Rakorlu 1"Reverse Fitting 36001022
Debi Hızı / Flow Rate	110 lt/dk	140 lt/dk	140 lt/dk
Max. Basınç / Max. Press.	190 bar	190 bar	190 bar
Çal. Basıncı / Working Press.	170 bar	170 bar	170 bar
Ağırlık / Weight(kg)	7,5 kg	7,5 kg	7,5 kg
Max. Pnömatik Basınç Max. Pneumatic Press.	12 bar	12 bar	12 bar
Akışkan / Fluid	Mineral bazlı hidrolik yağ / Mineral based hydraulic oil		

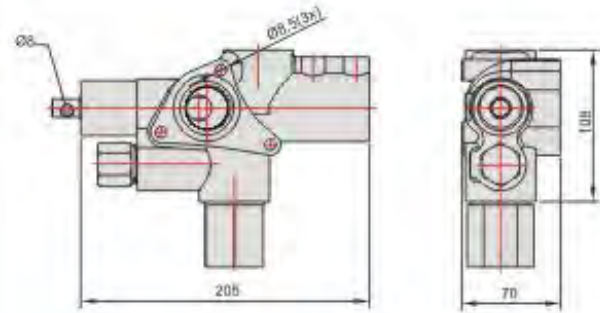


# Hydraulic Distributor Valve

36001030 / 36001031



36001060

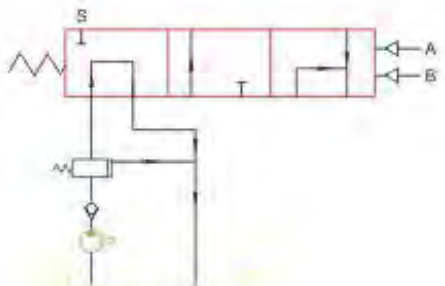
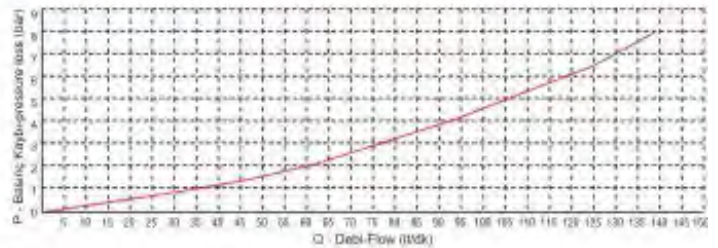
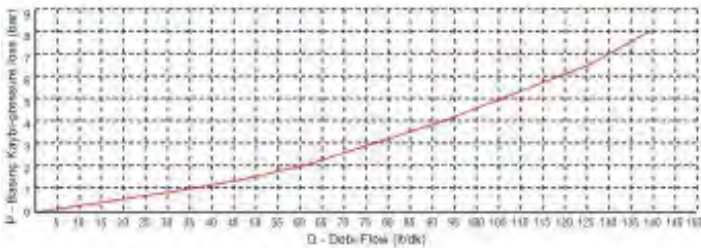


## GENEL BİLGİLER/GENERAL DATA

VENTİL KODU VALVE CODE	1" Rakorlu 1" Fitting 36001030	1" Tank Tipi 1" Tank Type 36001031
Debi Hızı / Flow Rate	110 lt/dk	110 lt/dk
Max. Basınç / Max. Press.	190 bar	190 bar
Çal. Basıncı / Working Press.	170 bar	170 bar
Ağırlık / Weight(kg)	5,5 kg	5,5 kg
Max. Pnömatik Basınç Max. Pneumatic Press.	12 bar	12 bar
Akışkan / Fluid	Mineral bazlı hidrolik yağ Mineral based hydraulic oil	

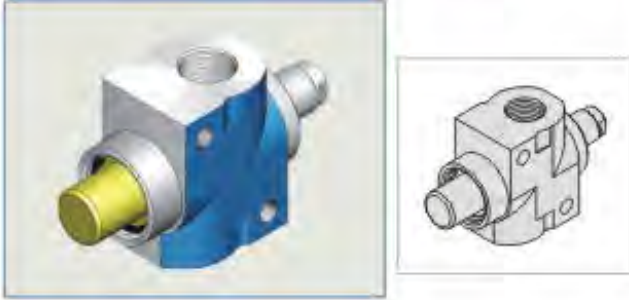
## GENEL BİLGİLER/GENERAL DATA

VENTİL KODU VALVE CODE	1" Rakorlu 1" Fitting 36001060
Debi Hızı / Flow Rate	110 lt/dk
Max. Basınç / Max. Press.	190 bar
Çal. Basıncı / Working Press.	170 bar
Ağırlık / Weight(kg)	3,8 kg
Max. Pnömatik Basınç Max. Pneumatic Press.	12 bar
Akışkan / Fluid	Mineral bazlı hidrolik yağ Mineral based hydraulic oil

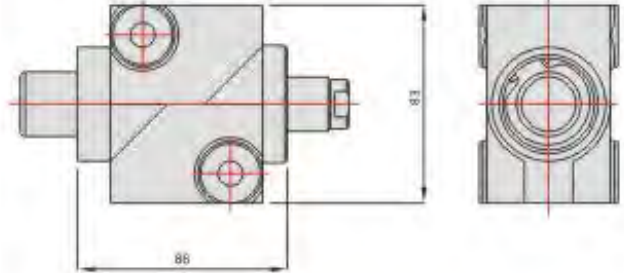
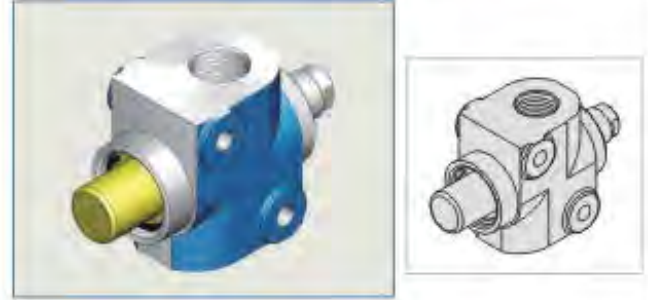


# Hydraulic Limit Control Valve

36001520 / 36001521



36001510 / 36001511

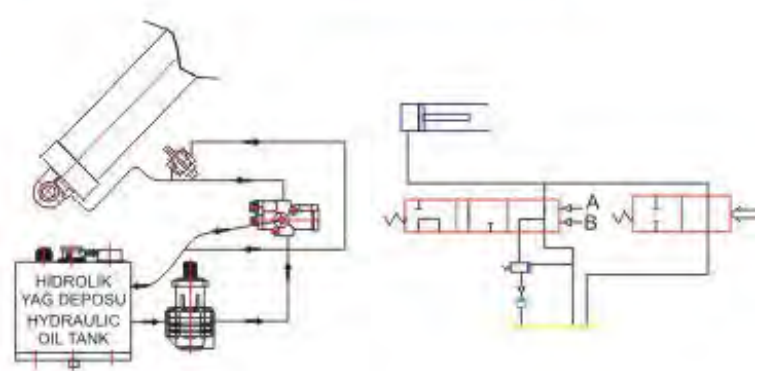
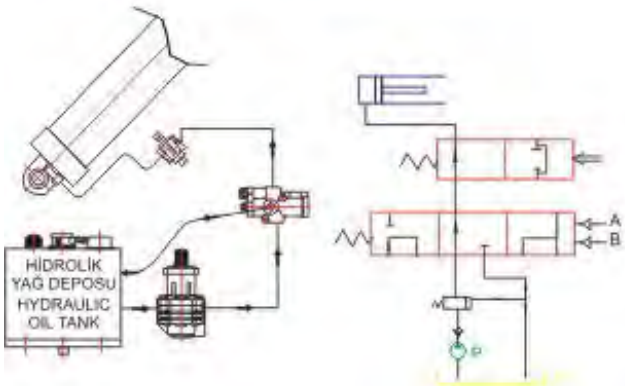


## GENEL BİLGİLER/GENERAL DATA

VENTİL KODU VALVE CODE	3/4"Rakorlu 3/4" Fittings	1" Rakorlu 1" Fittings
	36001520	36001521
Debi Hızı / Flow Rate	110 lt/dk	140 lt/dk
Max. Basınç / Max. Press.	190 bar	190 bar
Ağırlık / Weight(kg)	1,9 kg	1,9 kg
Akışkan / Fluid	Mineral bazlı hidrolik yağ Mineral based hydraulic oil	

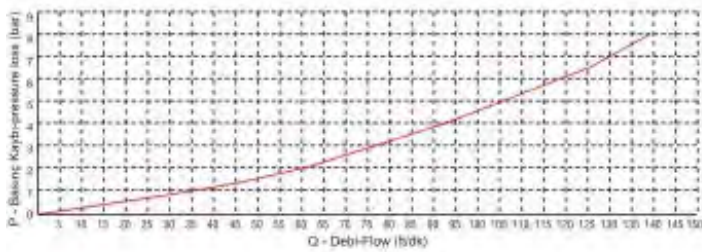
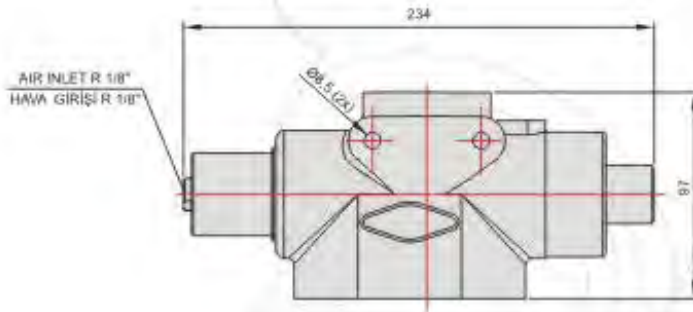
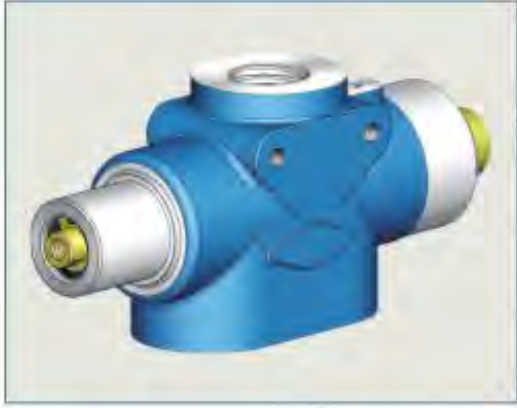
## GENEL BİLGİLER/GENERAL DATA

VENTİL KODU VALVE CODE	3/4"Rakorlu 3/4" Fittings	1" Rakorlu 1" Fittings
	36001510	36001511
Debi Hızı / Flow Rate	110 lt/dk	140 lt/dk
Max. Basınç / Max. Press.	190 bar	190 bar
Ağırlık / Weight(kg)	1,9 kg	1,9 kg
Akışkan / Fluid	Mineral bazlı hidrolik yağ Mineral based hydraulic oil	



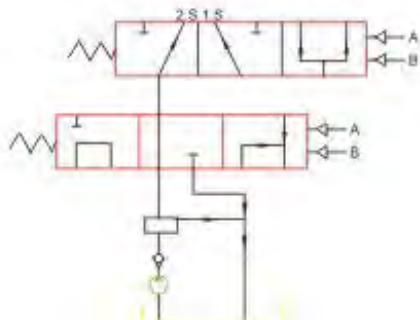
# Trailer Valve

36001040



## GENEL BİLGİLER/GENERAL DATA

VENTİL KODU VALVE CODE	1"Düz Rakorlu 1" Straight Fitting 36001040
Debi Hızı / Flow Rate	140 lt/dk
Max. Basınç / Max. Press.	190 bar
Ağırlık / Weight(kg)	7,5 kg
Max. Pnömatik Basınç Max. Pneumatic Press.	12 bar
Akışkan / Fluid	Mineral bazlı hidrolik yağ Mineral based hydraulic oil



# Monoblock Valve

## 40 Lt. Monoblock Valve

40 Lt. 1P



## 45 Lt. Monoblock Valve

45 Lt. 1P

45 Lt. 2P

45 Lt. 3P

45 Lt. 4P

45 Lt. 5P

45 Lt. 6P



## 80 Lt. Monoblock Valve

80 Lt. 1P

80 Lt. 2P

80 Lt. 3P

80 Lt. 4P

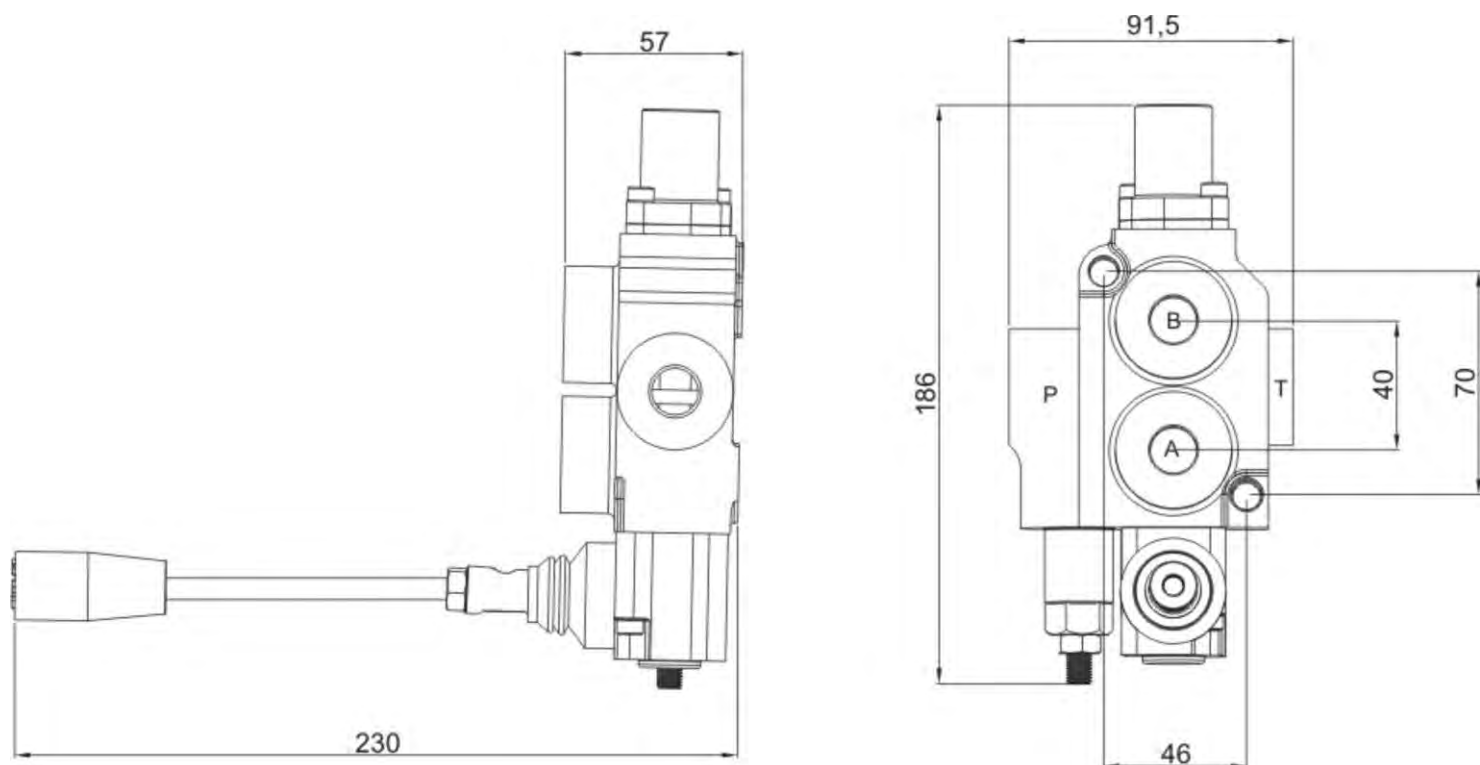
80 Lt. 5P

80 Lt. 6P



# 40 Lt. Monoblock Valve

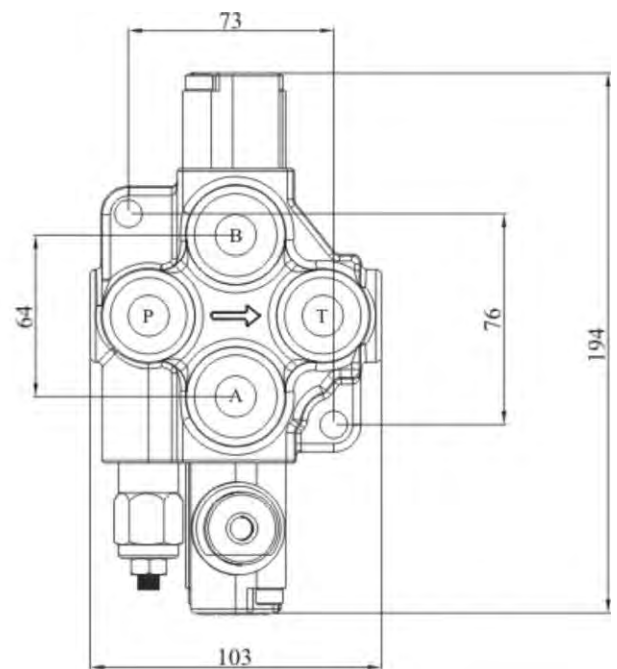
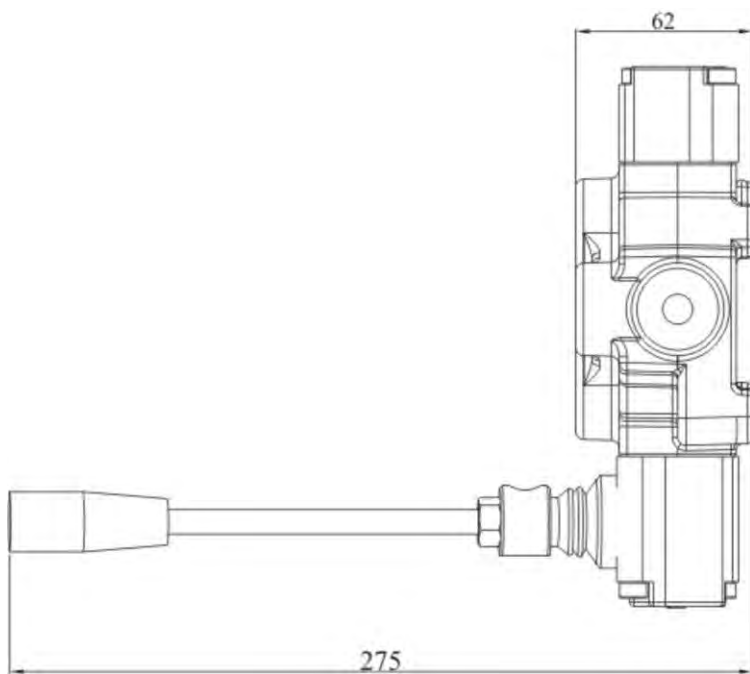
1P





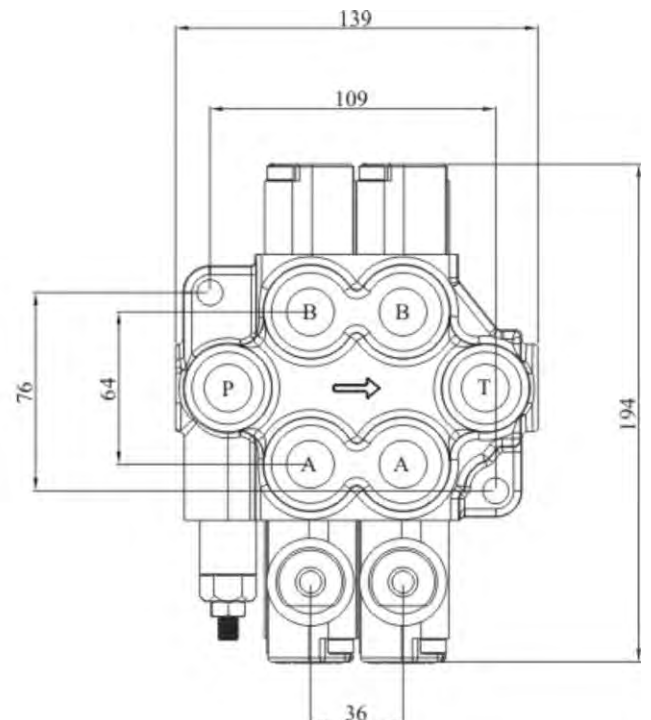
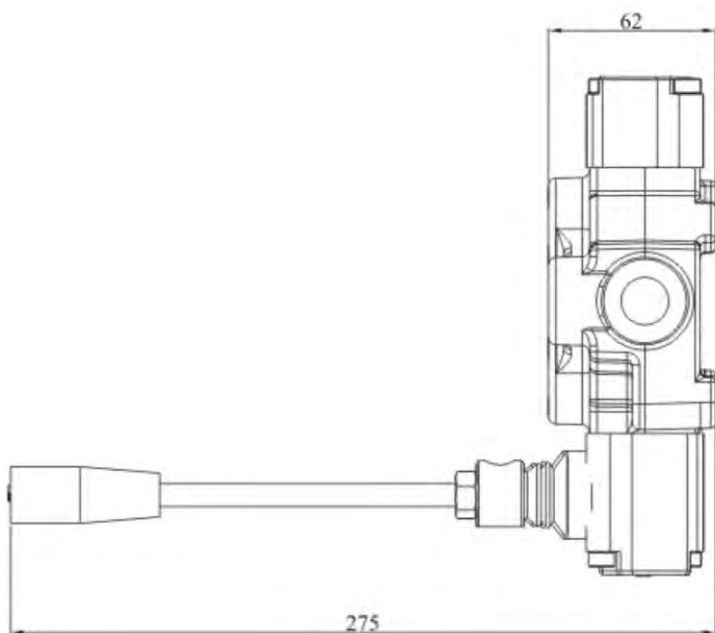
# 45 Lt. Monoblock Valve

1P



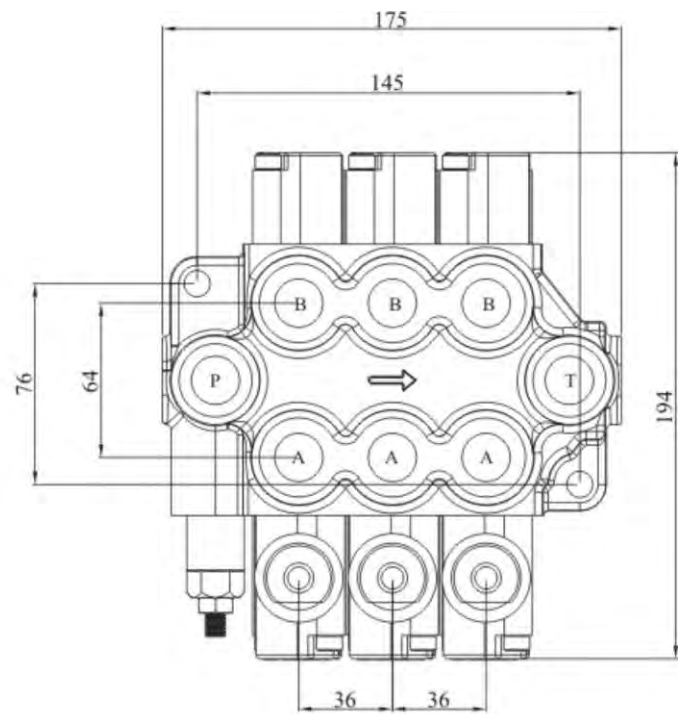
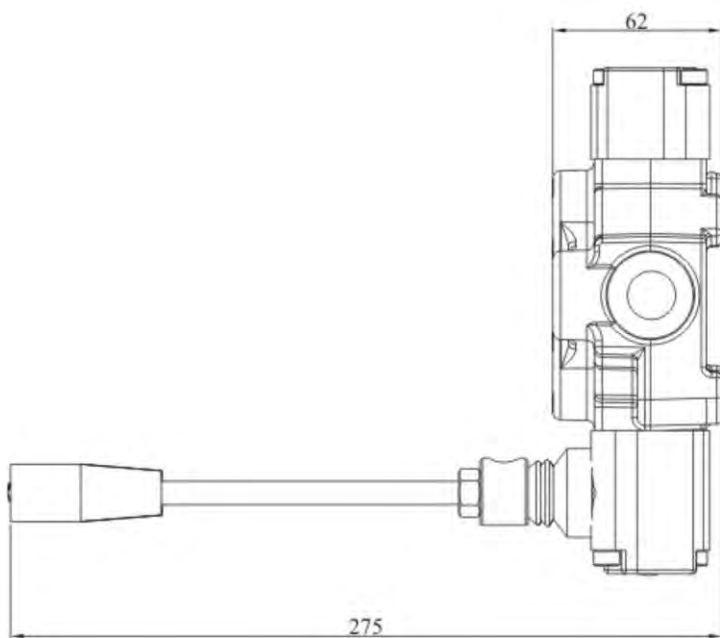
# 45 Lt. Monoblock Valve

2P



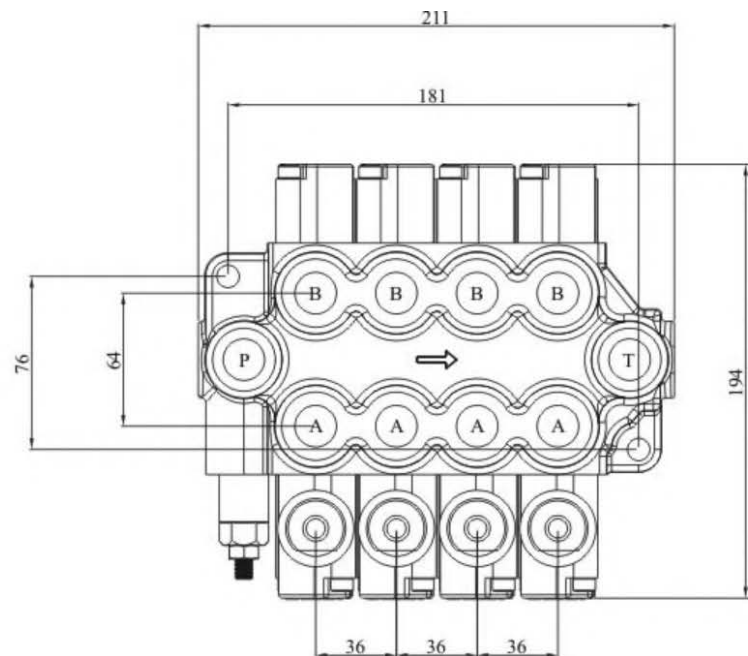
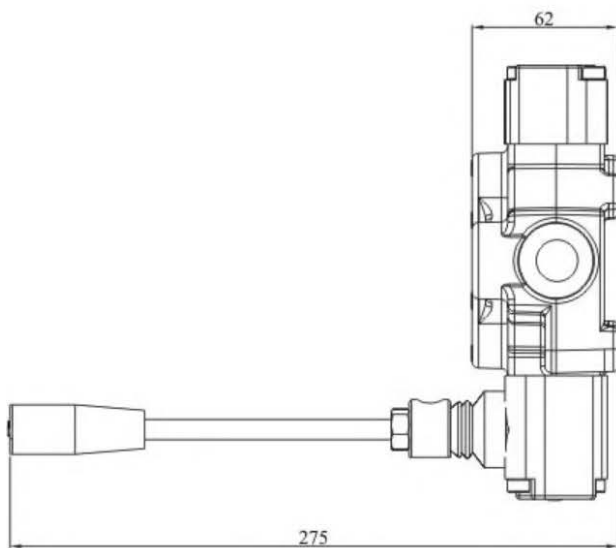
# 45 Lt. Monoblock Valve

3P



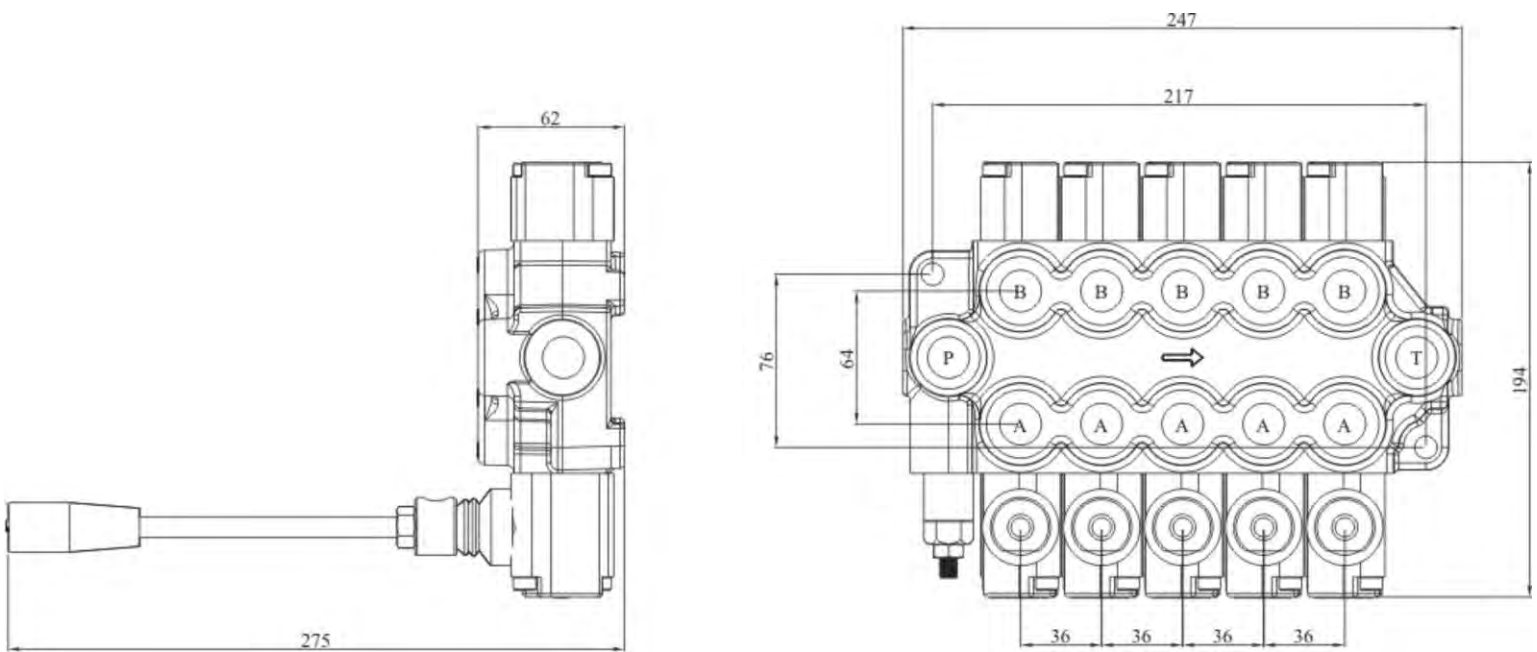
# 45 Lt. Monoblock Valve

4P



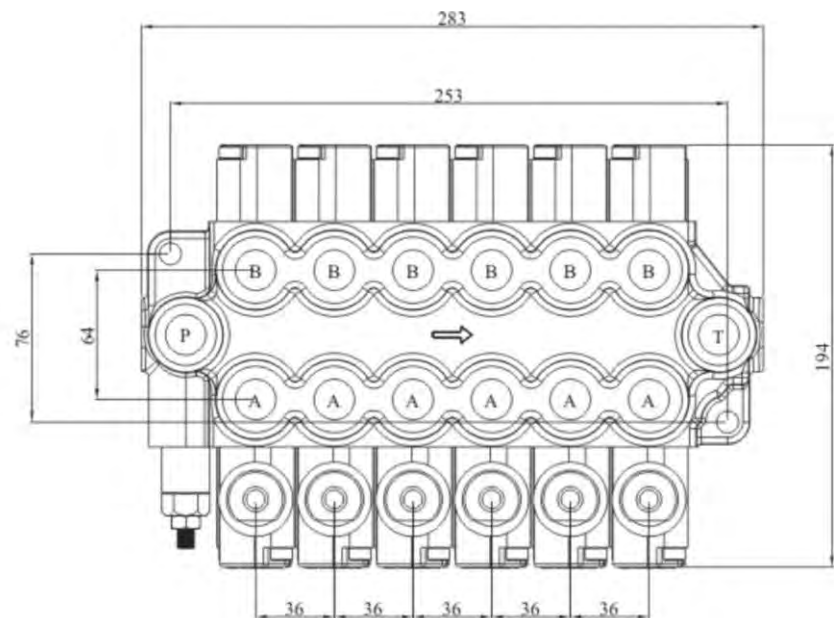
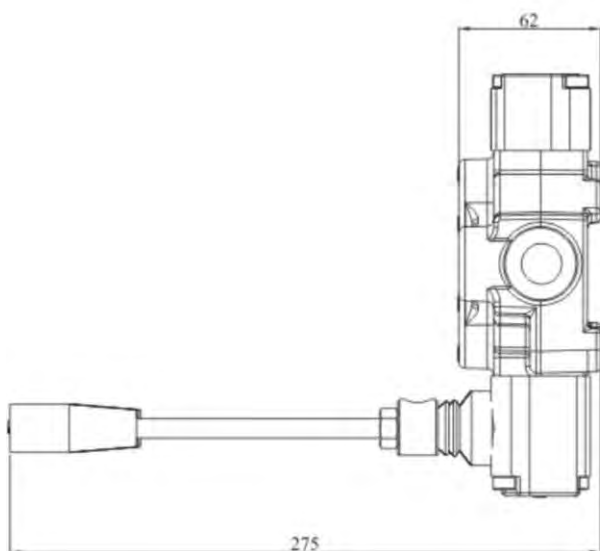
# 45 Lt. Monoblock Valve

5P



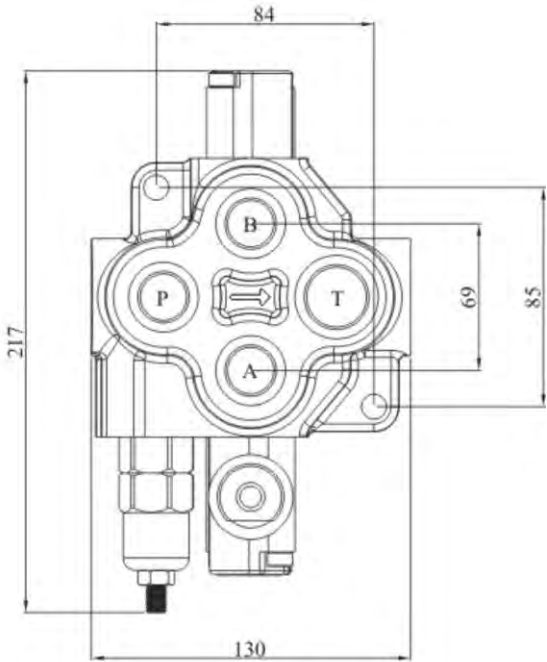
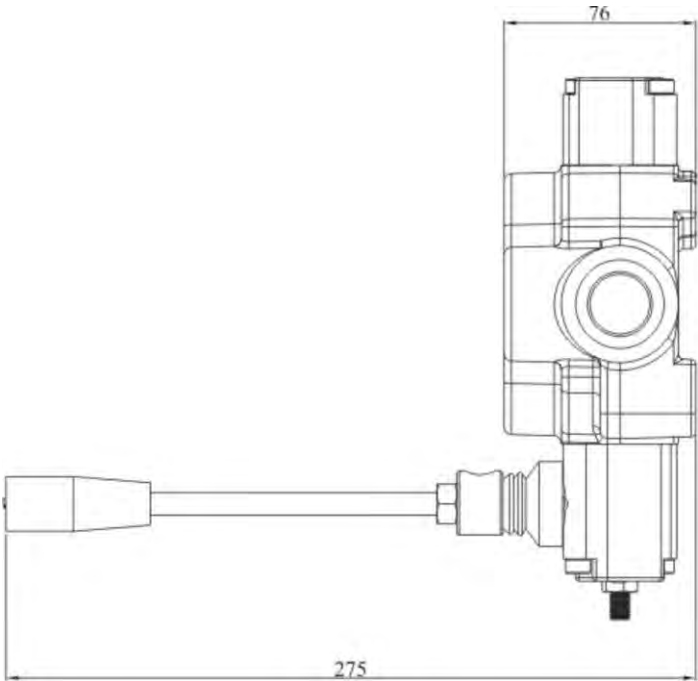
# 45 Lt. Monoblock Valve

6P



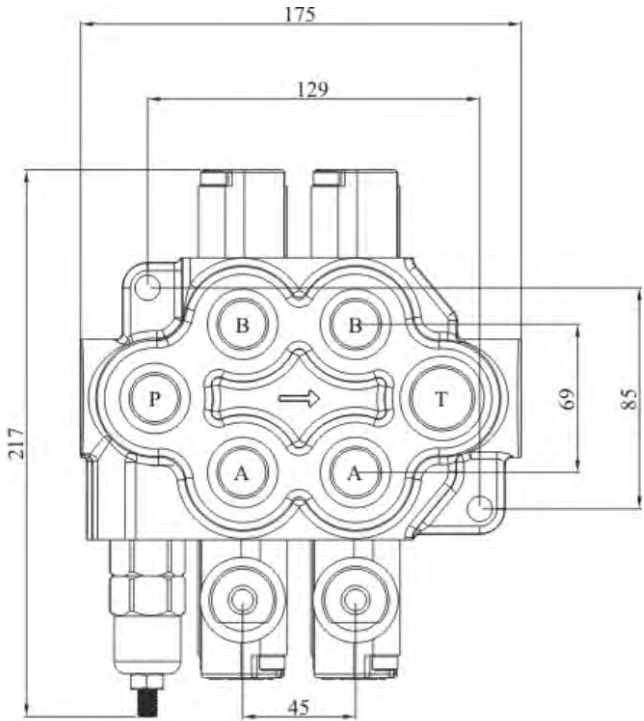
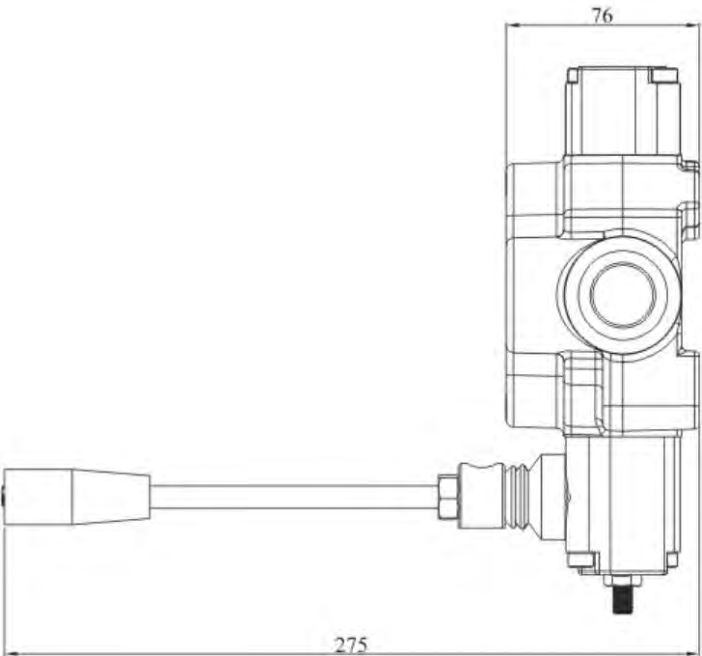
# 80 Lt. Monoblock Valve

1P



# 80 Lt. Monoblock Valve

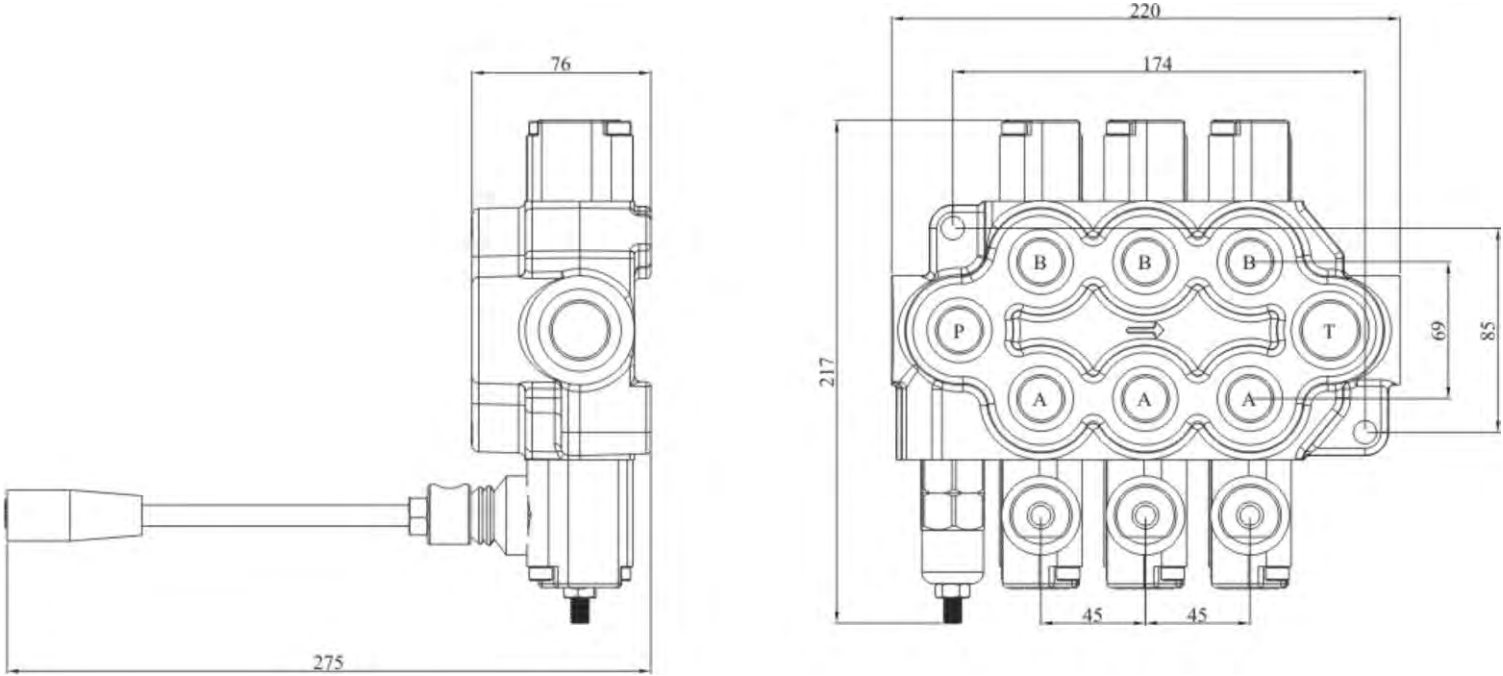
2P





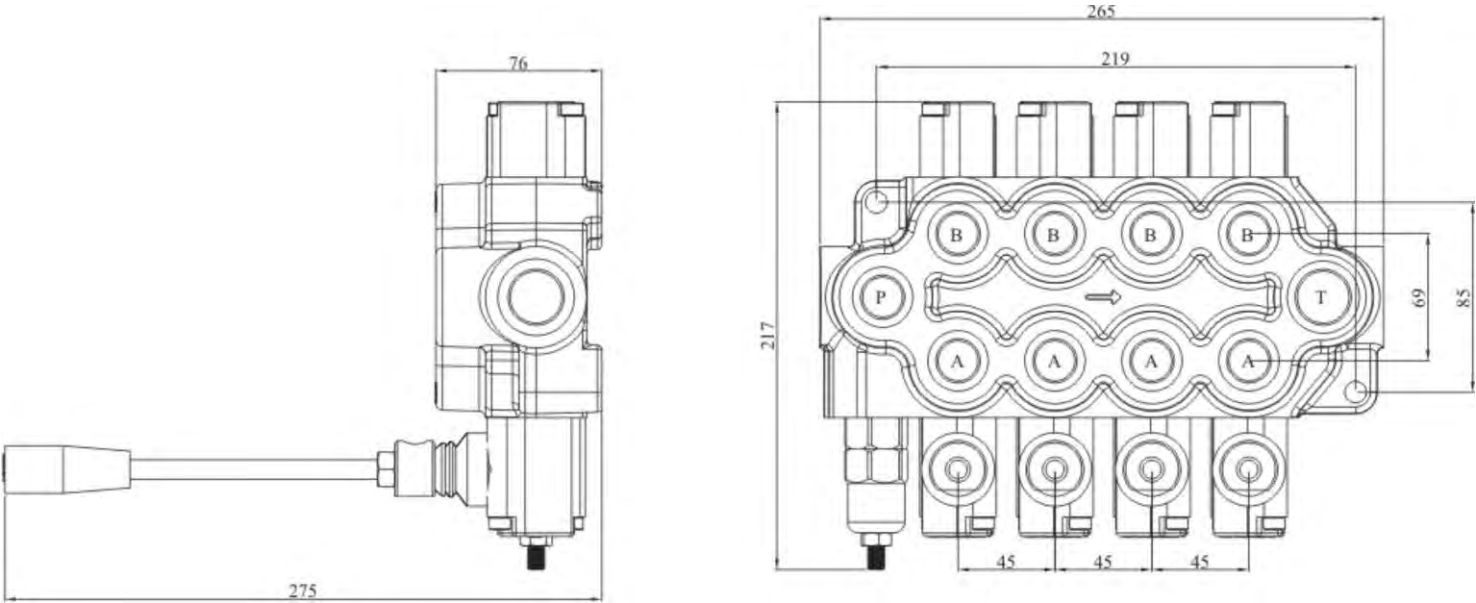
# 80 Lt. Monoblock Valve

3P



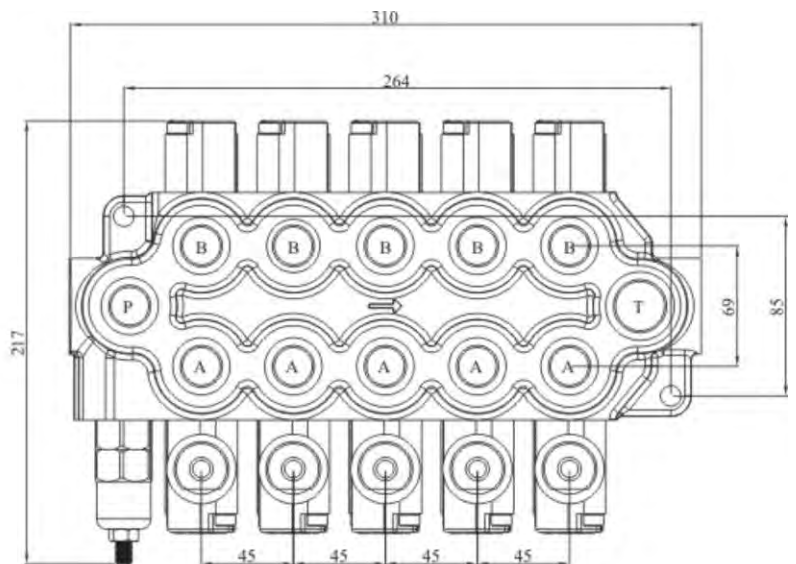
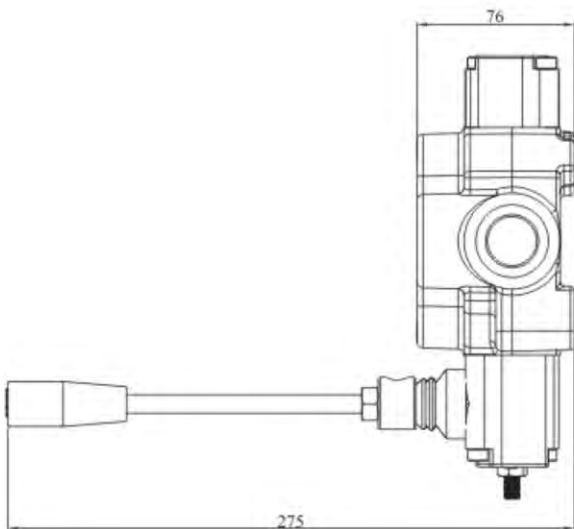
# 80 Lt. Monoblock Valve

4P



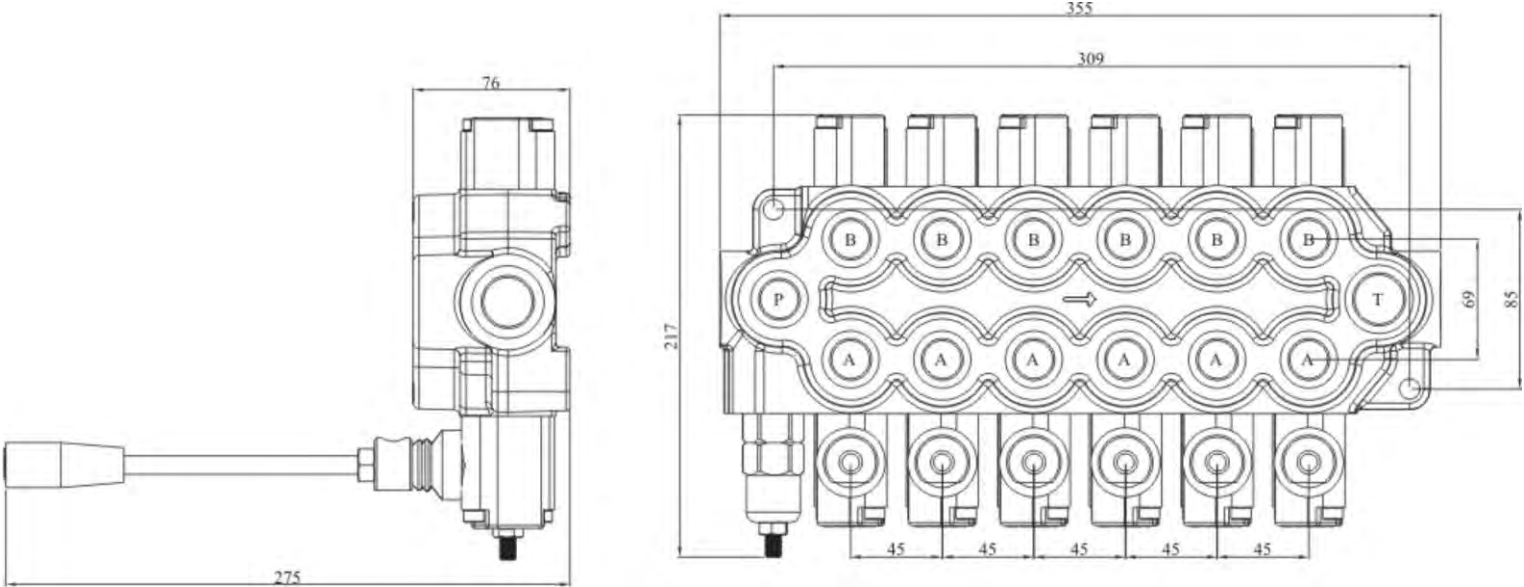
# 80 Lt. Monoblock Valve

5P



# 80 Lt. Monoblock Valve

6P



# Sectional Valve

## 80 Lt. Sectional Valve

80 Lt. 1P

80 Lt. 2P

80 Lt. 3P

80 Lt. 4P

80 Lt. 5P

80 Lt. 6P

80 Lt. 7P

80 Lt. 8P



## 150 Lt. Sectional Valve

150 Lt. 1P

150 Lt. 2P

150 Lt. 3P

150 Lt. 4P

150 Lt. 5P

150 Lt. 6P

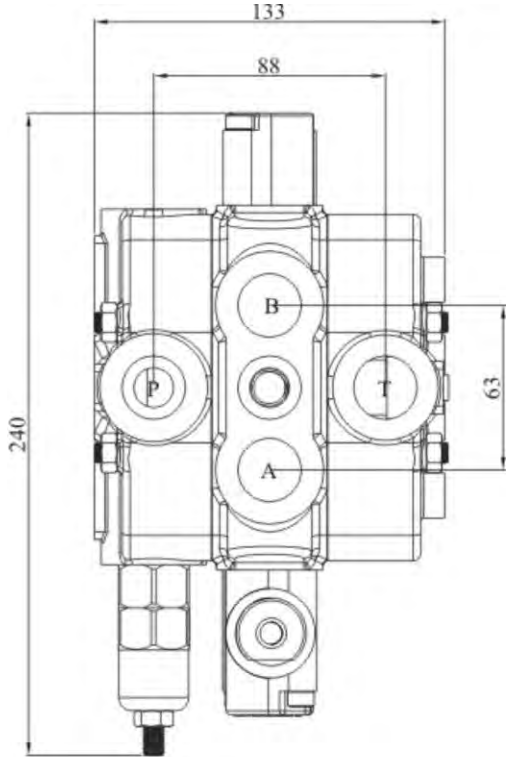
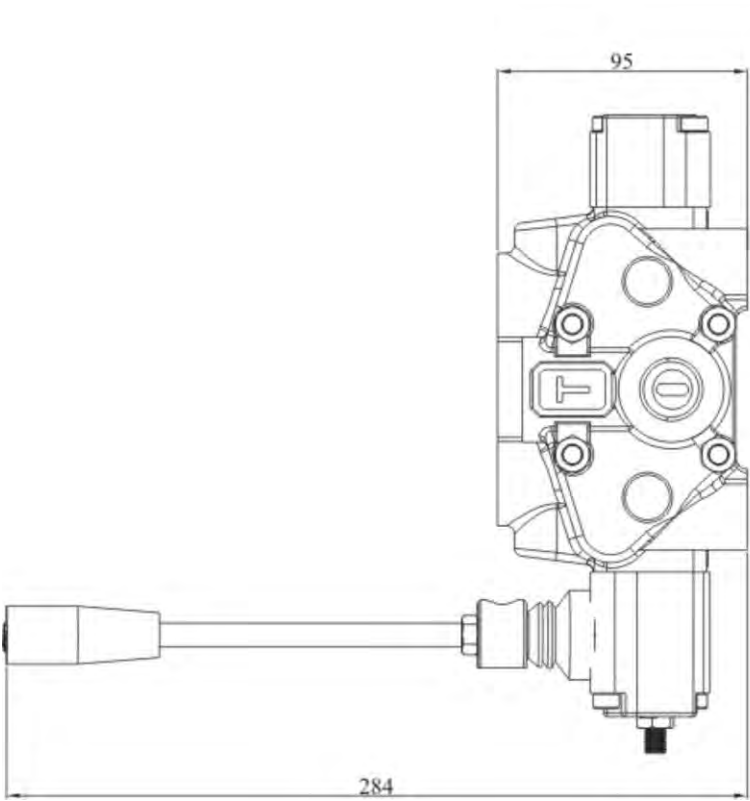
150 Lt. 7P

150 Lt. 8P



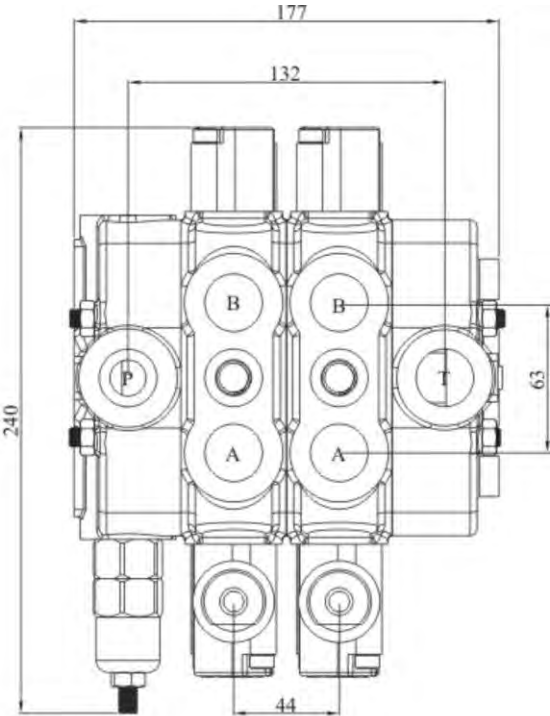
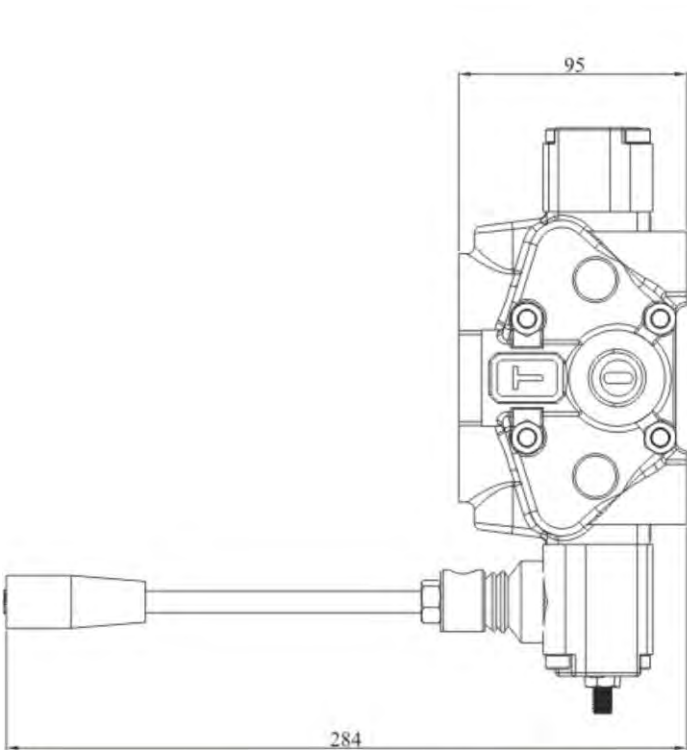
# 80 Lt. Sectional Valve

1P



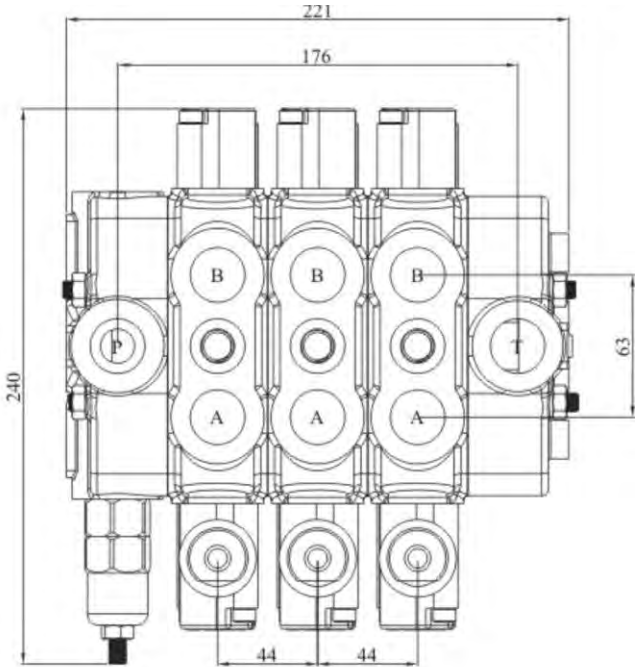
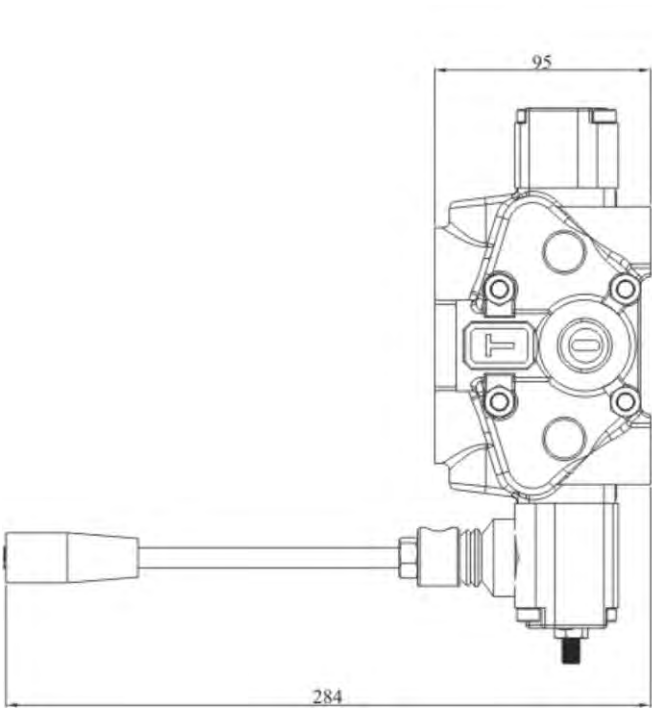
# 80 Lt. Sectional Valve

2P



# 80 Lt. Sectional Valve

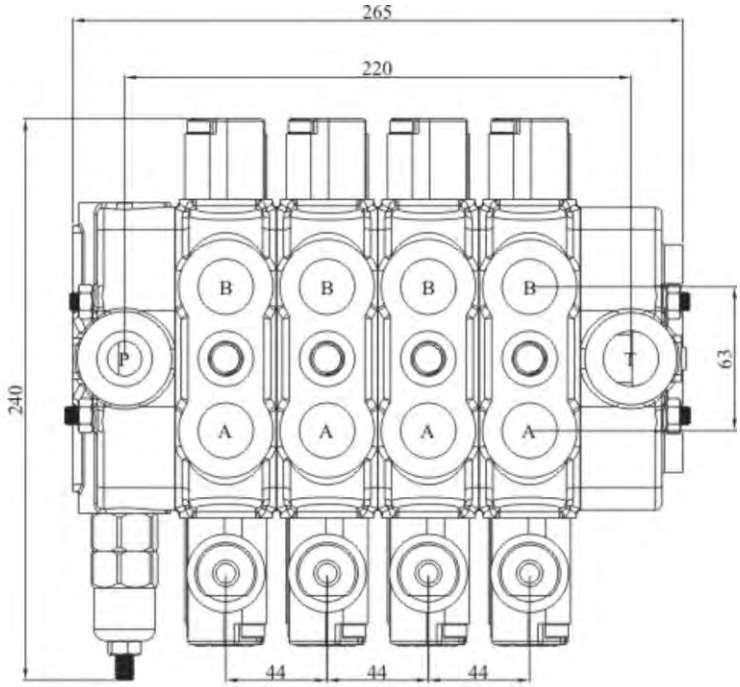
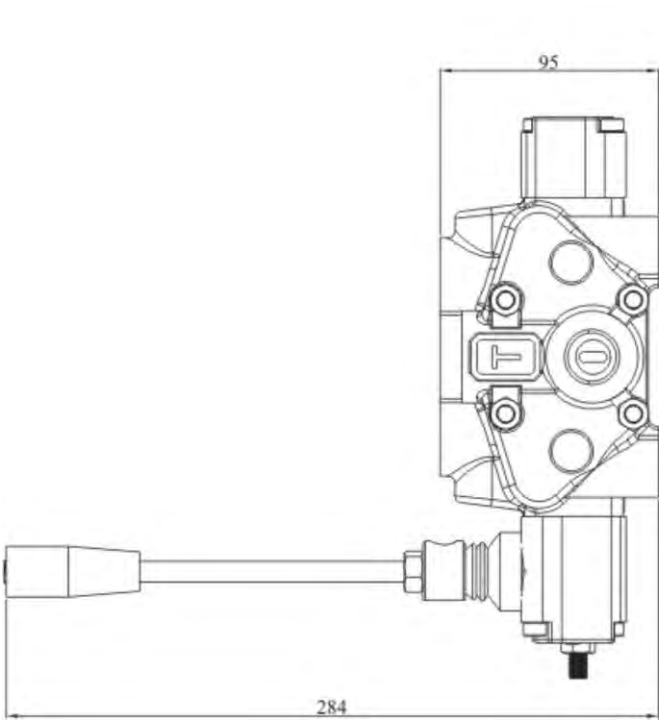
3P





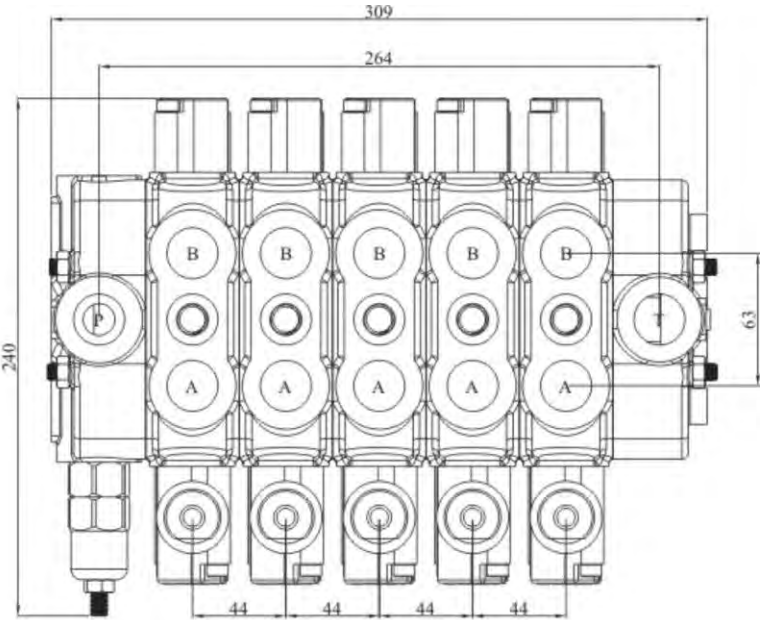
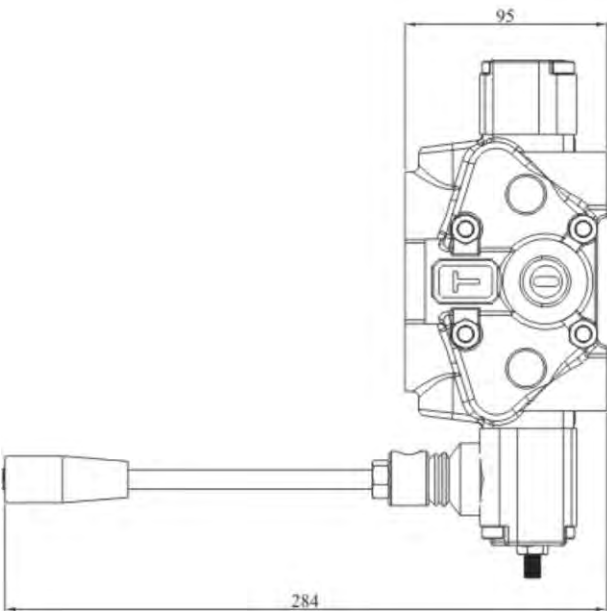
# 80 Lt. Sectional Valve

4P



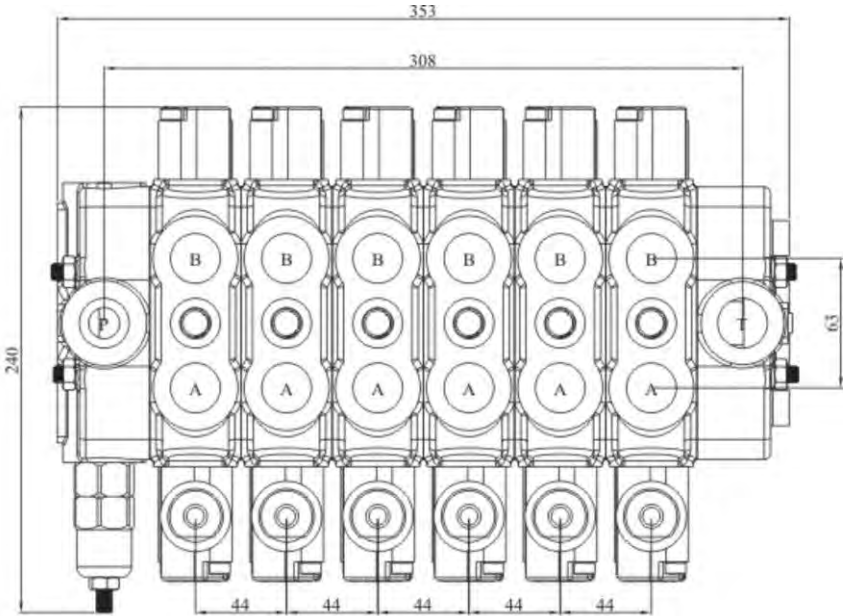
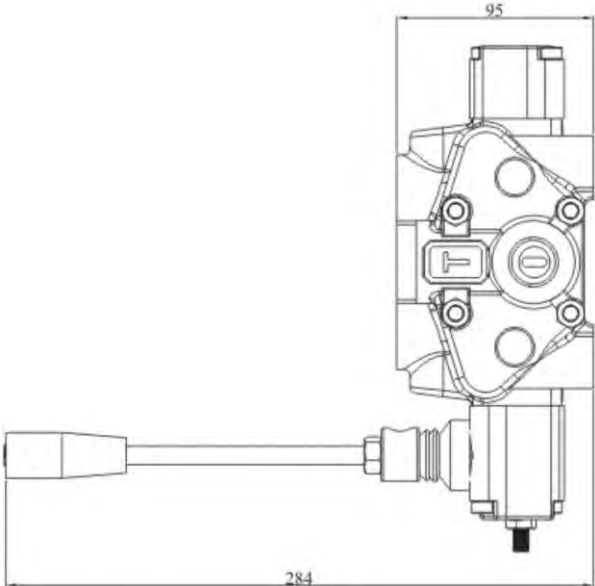
# 80 Lt. Sectional Valve

5P



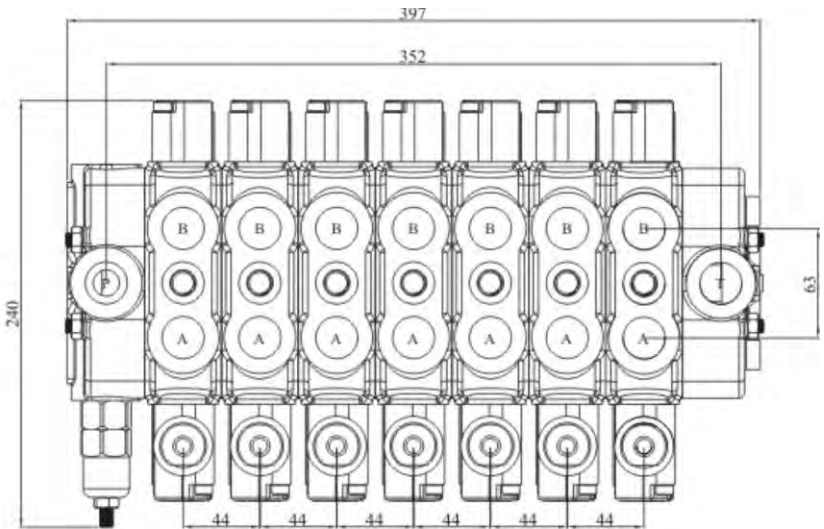
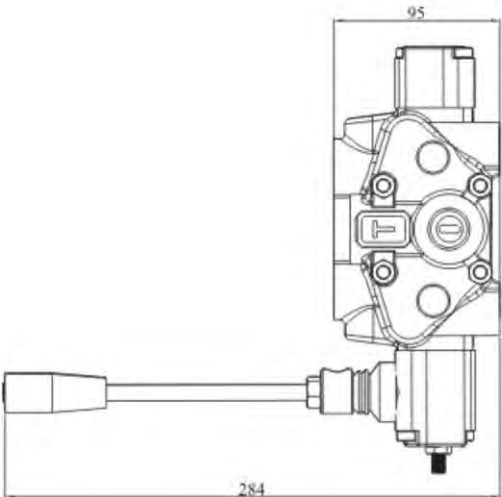
# 80 Lt. Sectional Valve

6P



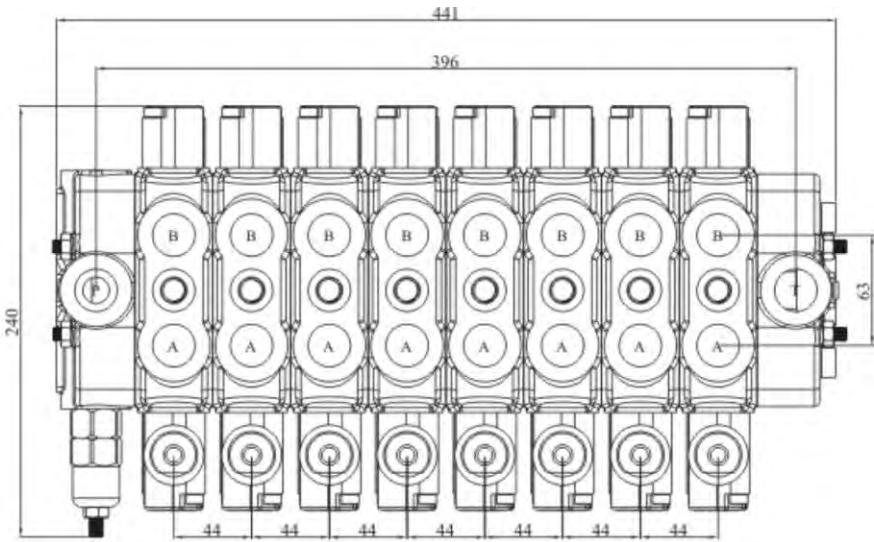
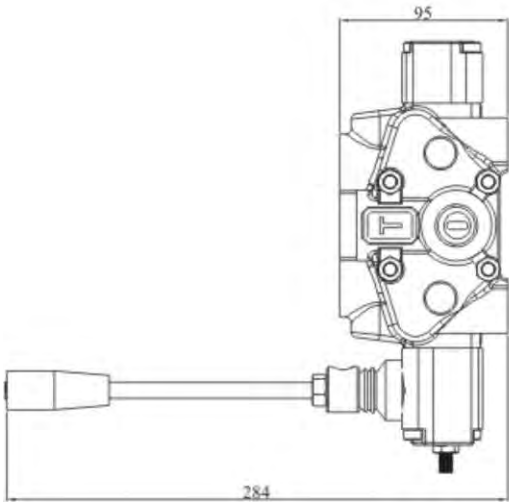
# 80 Lt. Sectional Valve

7P



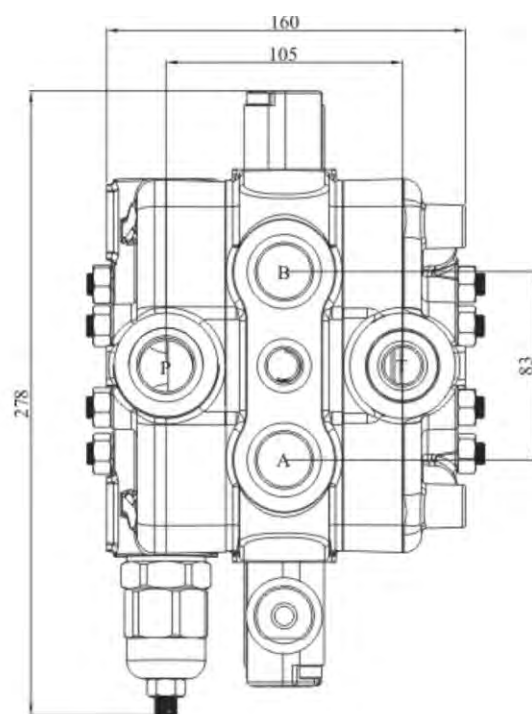
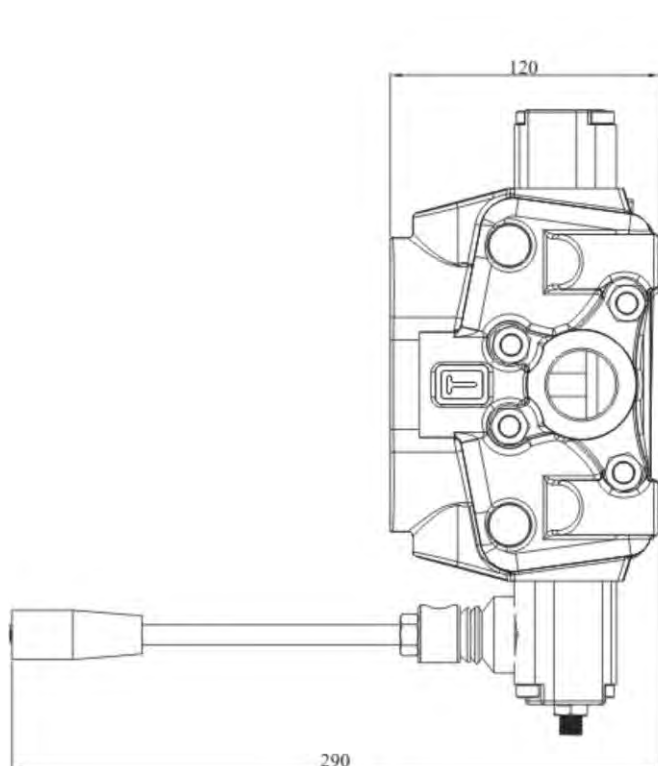
# 80 Lt. Sectional Valve

8P



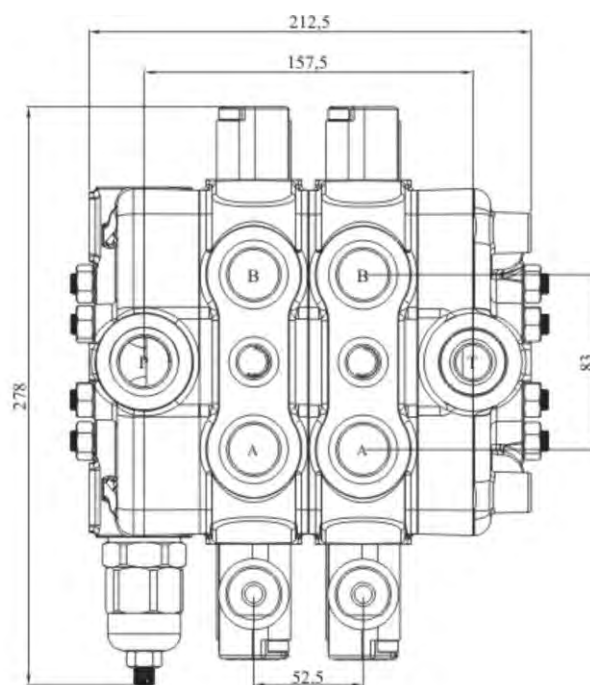
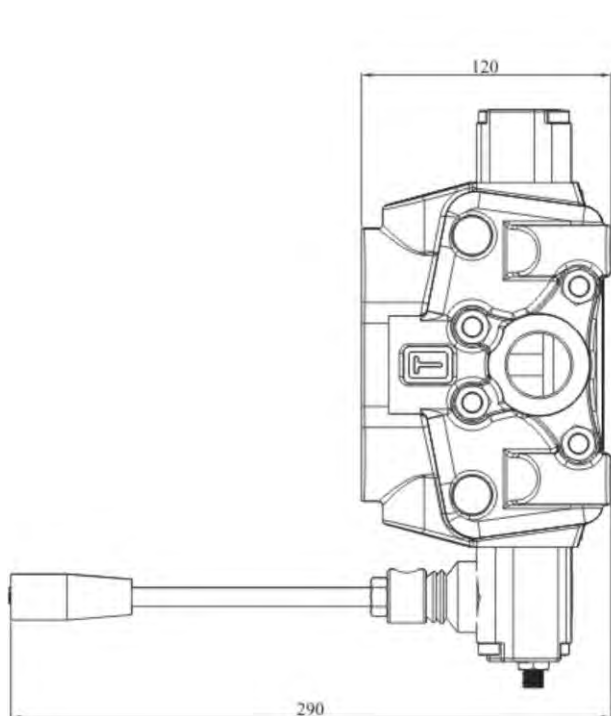
# 150 Lt. Sectional Valve

1P



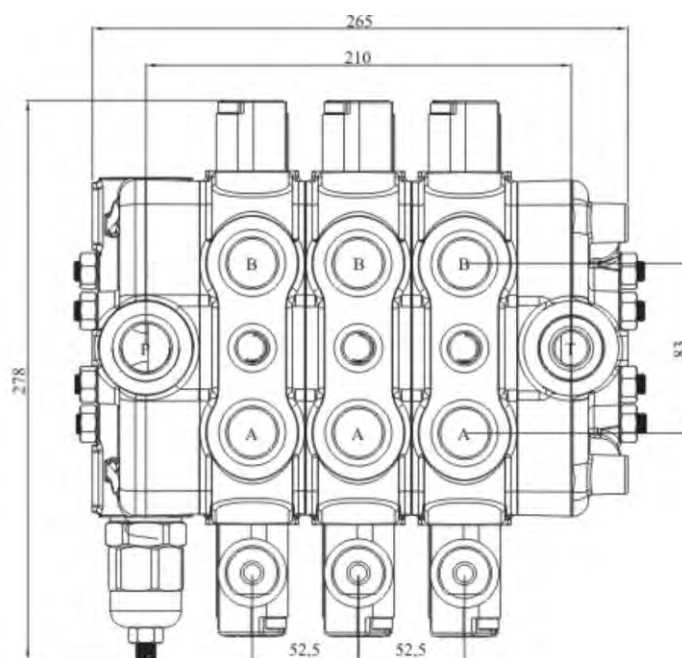
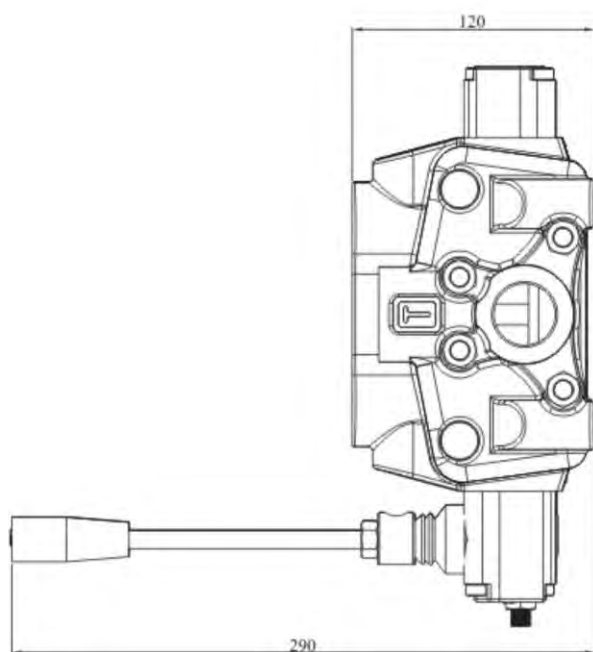
# 150 Lt. Sectional Valve

2P



# 150 Lt. Sectional Valve

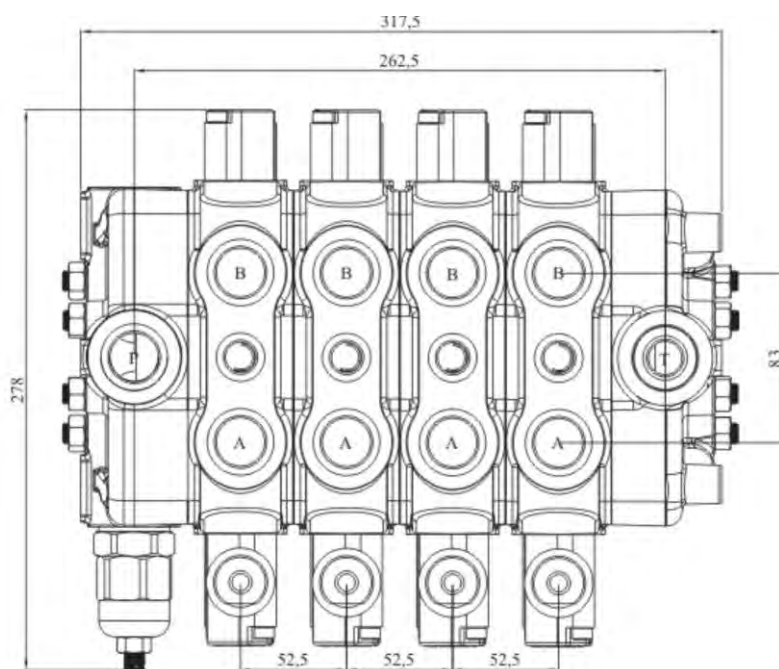
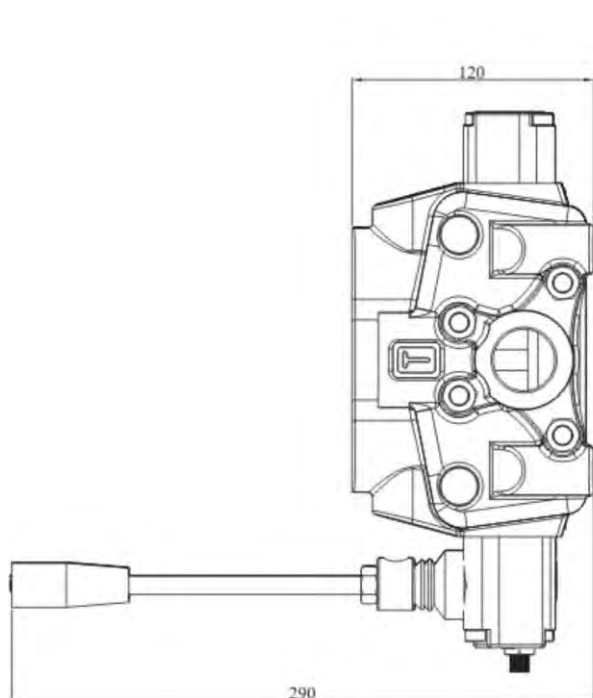
3P





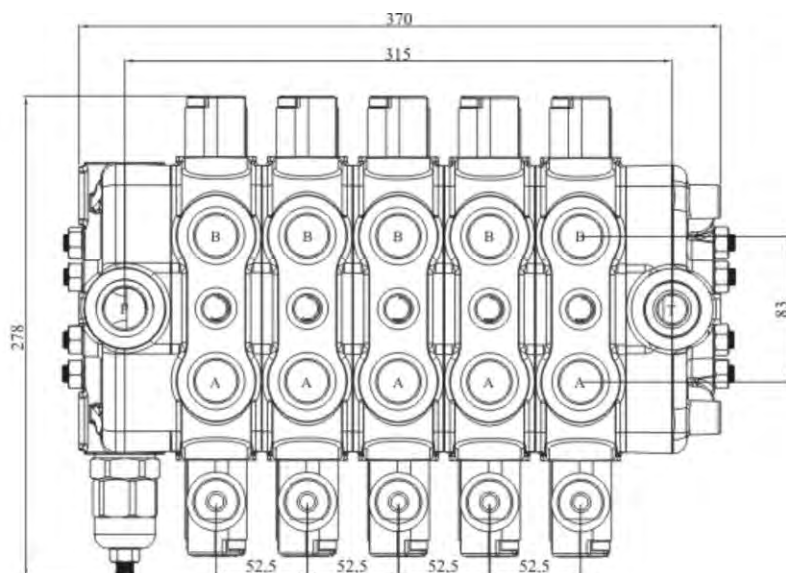
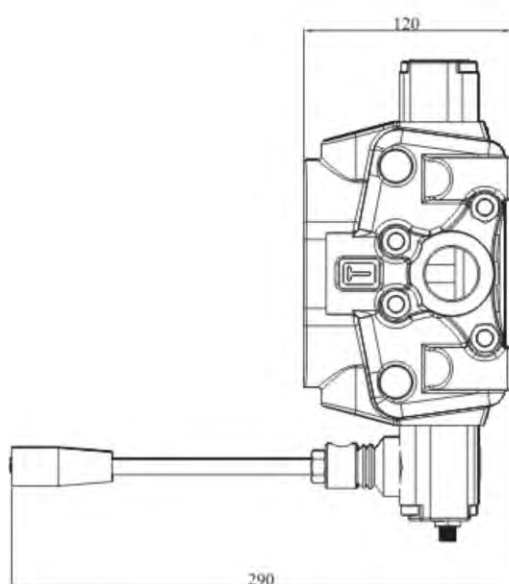
# 150 Lt. Sectional Valve

4P



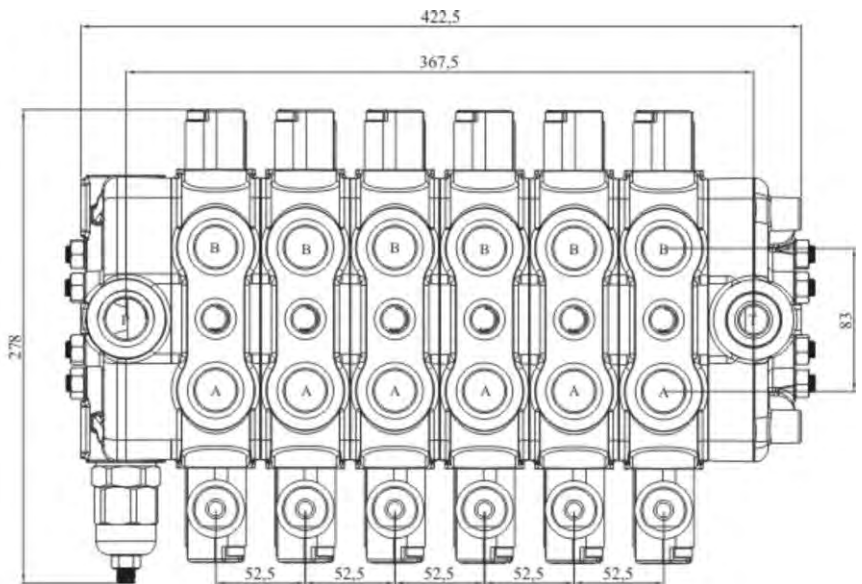
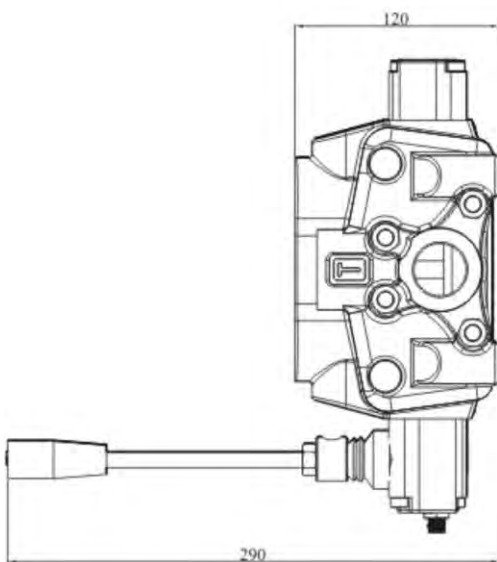
# 150 Lt. Sectional Valve

5P



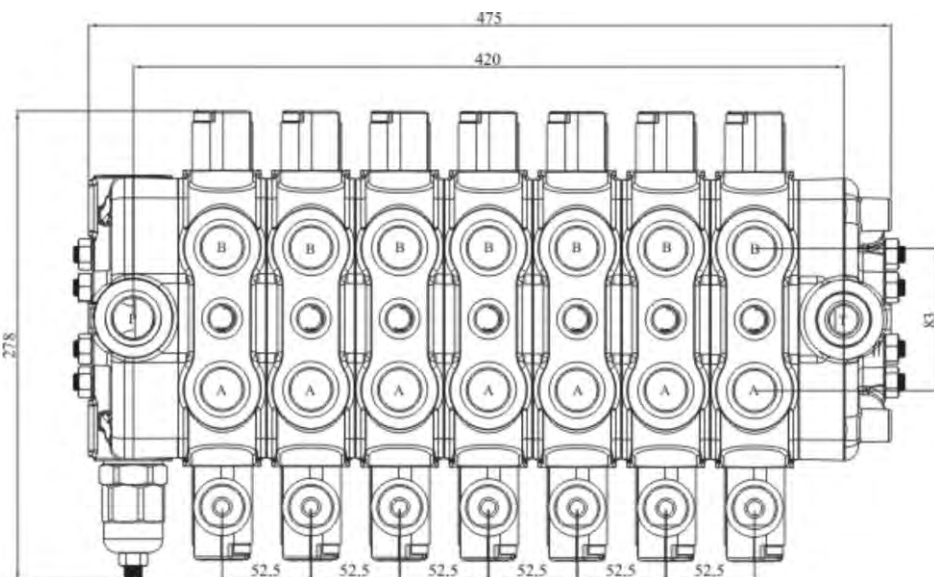
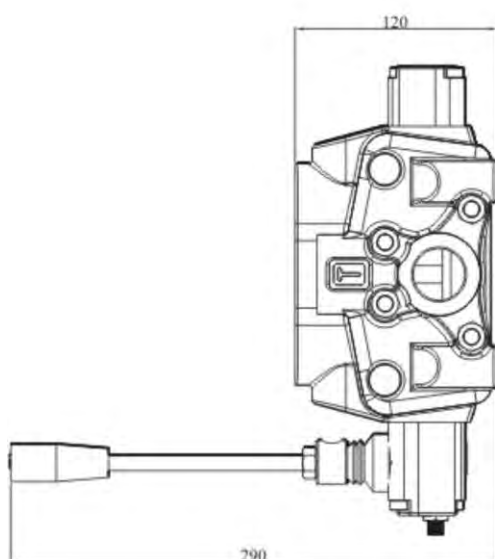
# 150 Lt. Sectional Valve

6P



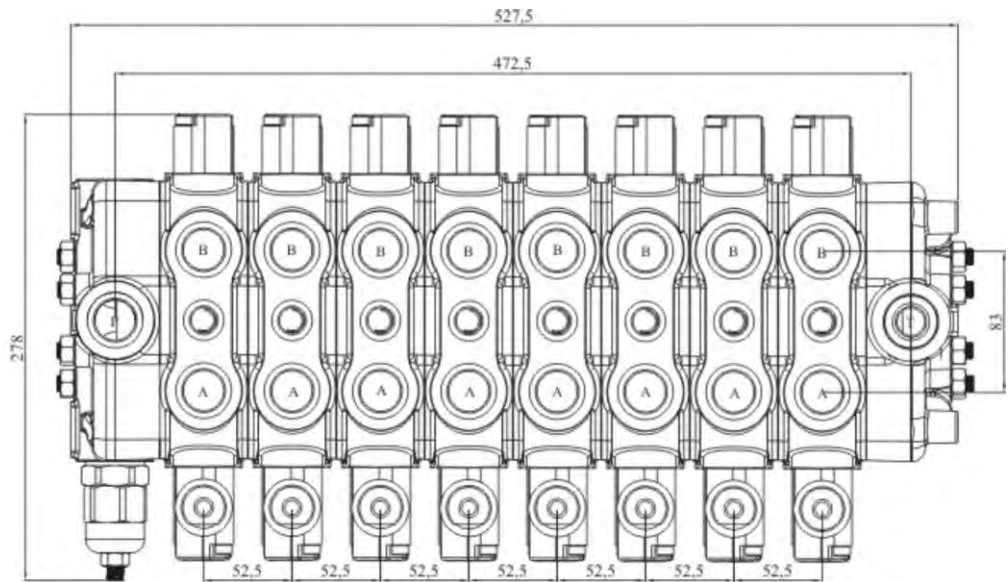
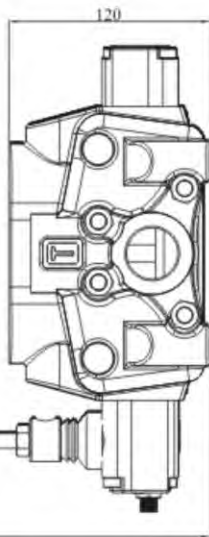
# 150 Lt. Sectional Valve

7P



# 150 Lt. Sectional Valve

8P



# Complete Product Range

## Piston Pumps

## Piston Motors

# DIN

DIN 5462 / ISO 14  
8x32x35  
8x32x36  
DIN 6885



**A8PD**



**A9MD**

# ISO

ISO 3019-2 (4 BOLTS)  
DIN 5480 -W25,30,35,40,45  
DIN 6885 -Ø20,25,30,35,40,45



**A8PO**



**A9MO**

# SAE

SAE B2 C4 - SAE D  
SAE J498b  
SAE J 744



**A8PS**



**A9MS**

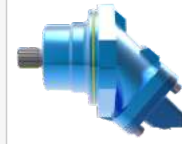
# M2

Fixed Plug-in

DIN 5480 / ISO 3019-2  
W30 - W35 - W40  
M21 - M22 - M23



**A8PL - Dual Flow**



**A9MF - Semi integrated**

# A4

DIN ISO 14  
8x32x36



**A4PP Single Flow**



**A4PL Dual Flow**

# A6

P2 Connection M8x125  
Woodruff key 3x6,5 NF E  
27-653 NF R 124-04  
(2 BOLTS)



**A6HP - High Pressure**



**A7GP - Gear Pump  
A7GM - Gear Motor**

# Contact



Gold Hydraulics, Ltd.

2019® Catalogue

All pictures and banners are patented by owner.

[www.goldhydraulics.com](http://www.goldhydraulics.com)

For more details and other catalogs,  
please send email to our team.

Hydraulic Bent Axis Piston Pumps  
Bent Axis Motors  
Dual Flow Piston Pumps and Gear Pumps...

Sales Team

[info@goldhydraulics.com](mailto:info@goldhydraulics.com)

Order

[order@goldhydraulics.com](mailto:order@goldhydraulics.com)

Management

[mail@goldhydraulics.com](mailto:mail@goldhydraulics.com)



[www.goldhydraulics.com](http://www.goldhydraulics.com)