

Suction Fittings

Inlet / Outlet Fittings



Inlet Fittings

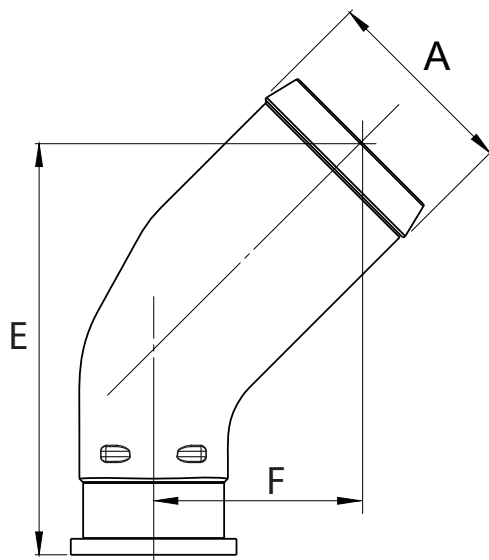
Suction Fittings

Outlet Fittings

Fittings

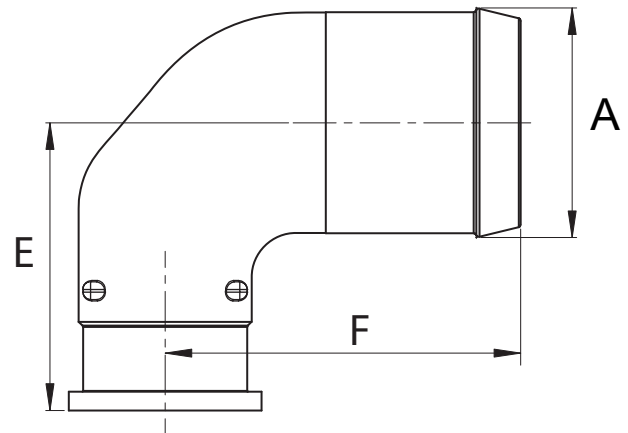
Inlet Fittings and Suction Fittings for Pumps

45° elbow fittings



Ø hose	Ø A	E	F
1 1/2"	39.1	91.7	46.7
42	43	91.7	46.7
1 3/4"	46	91.7	46.7
2"	51.8	108.4	54.4
2 1/2"	64.5	125.2	62.2

90° elbow fittings



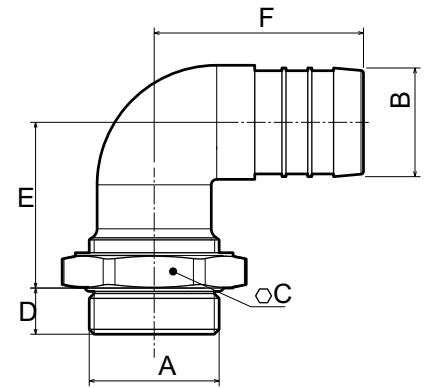
Ø hose	Ø A	E	F
1 1/2"	39.1	58.6	79.5
2"	51.8	64.9	80.2
2 1/2"	64.5	71.3	87.5

Fittings

Inlet Fittings and Suction Fittings for Pumps

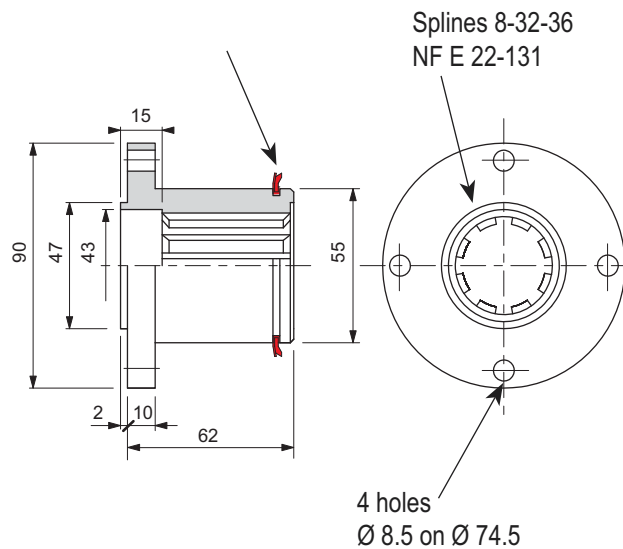
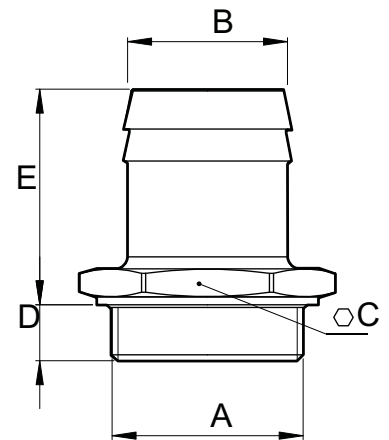
90° elbow fittings, swivel

Reference	A	Ø B	C	D	E	F
Pump	G 1 1/2"	40	60	17	61	77
Pump	G 1 1/2"	50	60	17	65	82
Pump	G 2"	50	70	17	65	82



Straight fittings

Reference	A	Ø B	C	D	E
Pump	G 1 1/2"	40	56	14	54
Pump	G 1 1/2"	50	52	14	66
Pump	G 1 1/2"	60	64	14	69
Pump	G 1 1/2"	63.5	64	14	69
Pump	G 2"	50	66	14	54
Pump	G 2"	60	66	14	72
Pump	G 1 1/2"	76.2	80	14	89



Complete Product Range

Piston Pumps

Piston Motors

DIN

DIN 5462 / ISO 14
8x32x35
8x32x36
DIN 6885



A8PD



A9MD

ISO

ISO 3019-2 (4 BOLTS)
DIN 5480 -W25,30,35,40,45
DIN 6885 -Ø20,25,30,35,40,45



A8PO



A9MO

SAE

SAE B2 C4 - SAE D
SAE J498b
SAE J 744



A8PS



A9MS

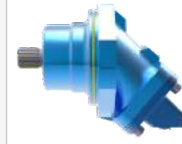
M2

Fixed Plug-in

DIN 5480 / ISO 3019-2
W30 - W35 - W40
M21 - M22 - M23



A8PL - Dual Flow



A9MF - Semi integrated

A4

DIN ISO 14
8x32x36



A4PP Single Flow



A4PL Dual Flow

A6

P2 Connection M8x125
Woodruff key 3x6,5 NF E
27-653 NF R 124-04
(2 BOLTS)



A6HP - High Pressure



**A7GP - Gear Pump
A7GM - Gear Motor**

Contact



Gold Hydraulics, Ltd.

2019® Catalogue

All pictures and banners are patented by owner.

www.goldhydraulics.com

For more details and other catalogs,
please send email to our team.

Hydraulic Bent Axis Piston Pumps
Bent Axis Motors
Dual Flow Piston Pumps and Gear Pumps...

Sales Team

info@goldhydraulics.com

Order

order@goldhydraulics.com

Management

mail@goldhydraulics.com



www.goldhydraulics.com